

Quality in heart, Service in action



**2021**  
**SOLAR STREET LAMP**



## Solar panel advantage



### Fully tempered, high hardness glass

The glass on the surface of the solar panel is made of high-strength, high-transmittance, high-temperature, and deformation-resistant fully tempered glass solar glass laminate, and the outer layer is protected by a high-transmittance glass; high gloss, anti-ultraviolet aging, beautiful appearance;



### Complete V-curve cell

The main chip is A-level battery chip, with ultra-high conversion rate, good weak light, and stable output performance;



### Low light solar panel

Adopt imported high-efficiency polycrystalline A-class solar panel components, the photoelectric conversion rate is greater than 19%.

The solar panel has excellent low-light performance, and can be recharged even if the sunlight is partially shaded.

## Lithium battery advantages



⦿ Operating temperature range; charging: 0°C-60°C; ⦿ Discharge: -20°C-60°C;

⦿ Storage temperature: -0°C-45°C;

## Safety and environmental adaptability:

| Serial | Item                          | Standard  |
|--------|-------------------------------|---|
| 1      | Vibration test                | The product has no looseness after being shaken according to standard time.                       |
| 2      | Waterproof test               | The product is strictly tested according to IP66 waterproof standard, without water accumulation. |
| 3      | High and low temperature test | Normal operation in the range of 0°C-65°C.  |
| 4      | Salt Spray test               | Normal and meets the standards.   |
| 5      | Sandbox test                  | Normal and meets standards.   |





Vertical installation



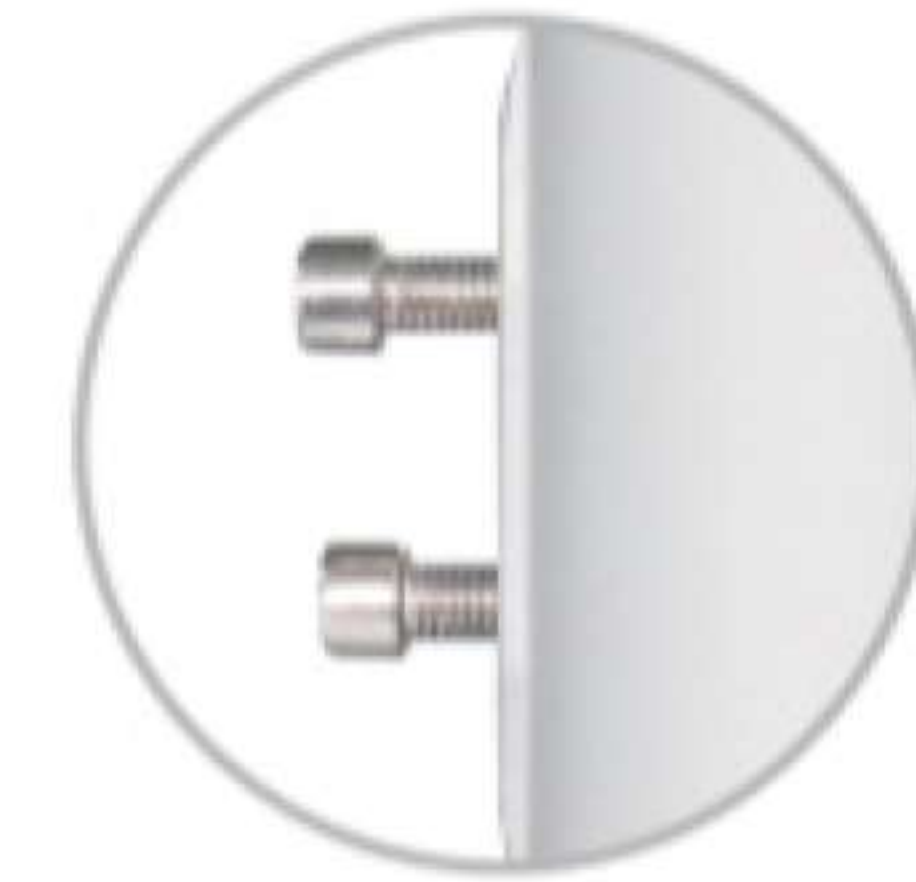
Horizontal installation



Larger support surface and firmer



Adjustable angle 0-72 degrees



Die-cast aluminum material, not easy to rust



Supports light poles with a diameter of 60-80mm



# INTEGRATED SOLAR STREET LIGHT

## MY SERIES



Self-developed module lens



3030 light beads  
Highlight LED



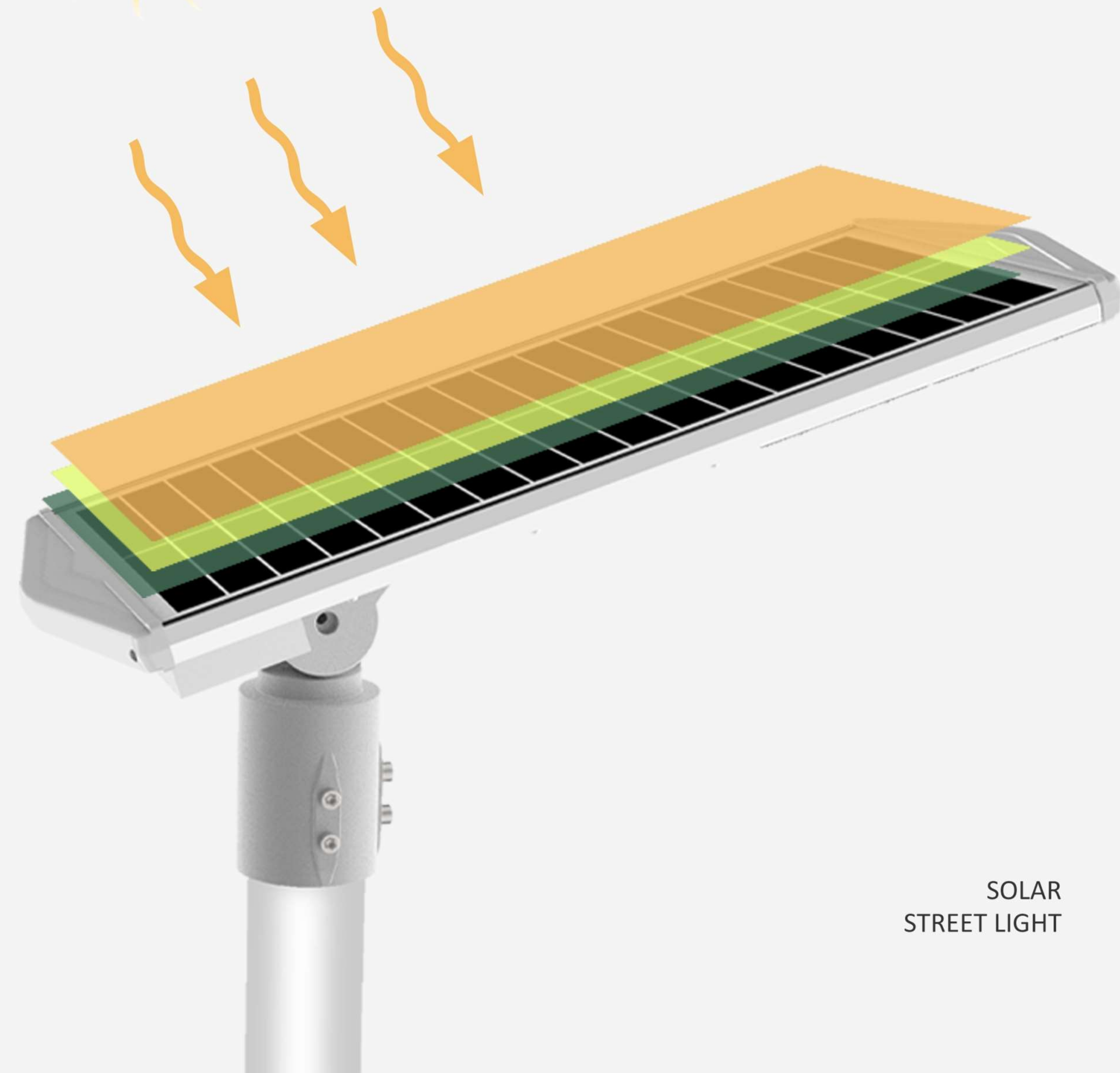
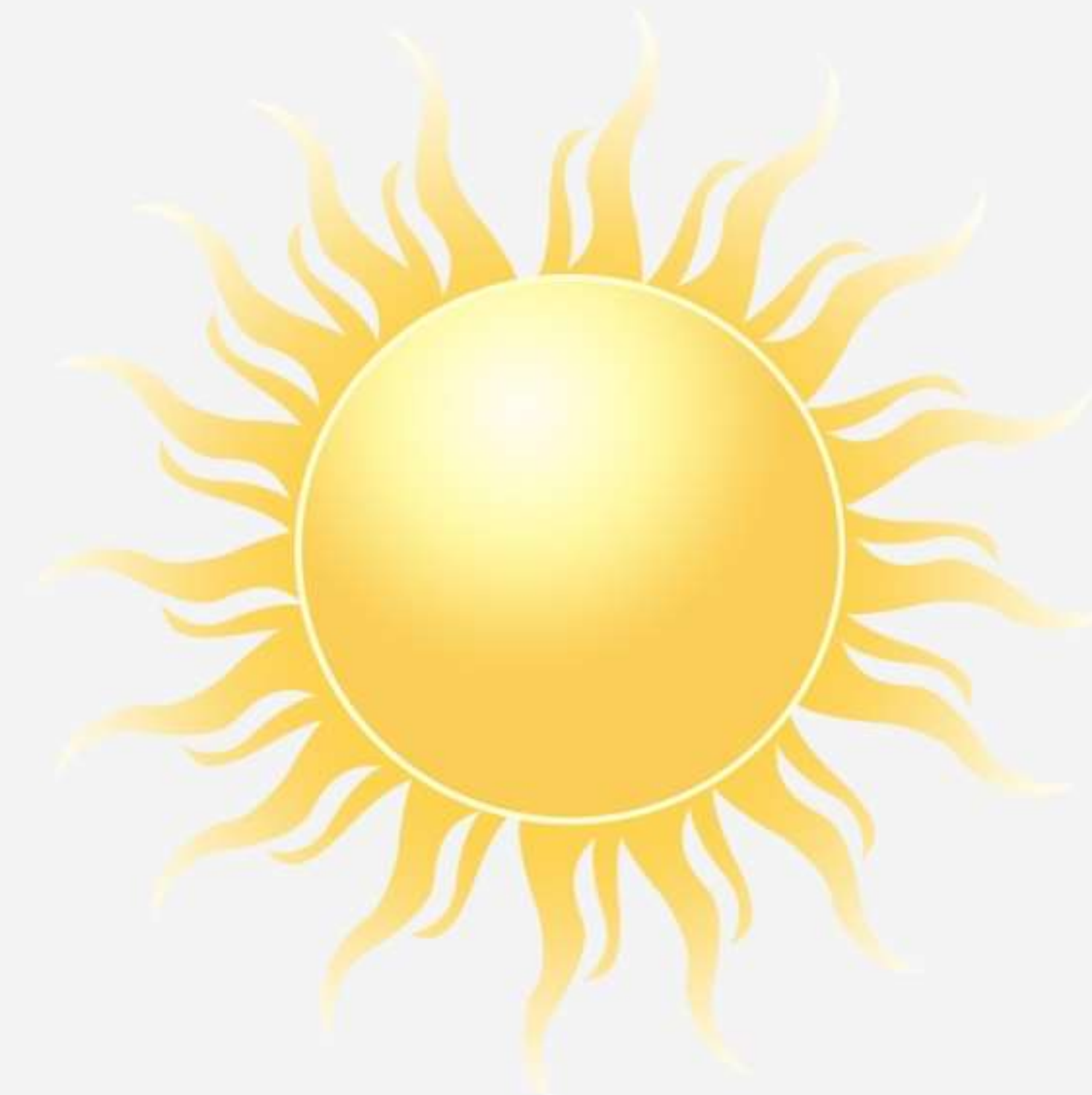
Integral aluminium alloy material



Monocrystalline

## EFFICIENT SINGLE CRYSTAL SOLAR PANELS

High photoelectric conversion with efficiency of more than 22%  
Surface Special Processing



SOLAR STREET LIGHT

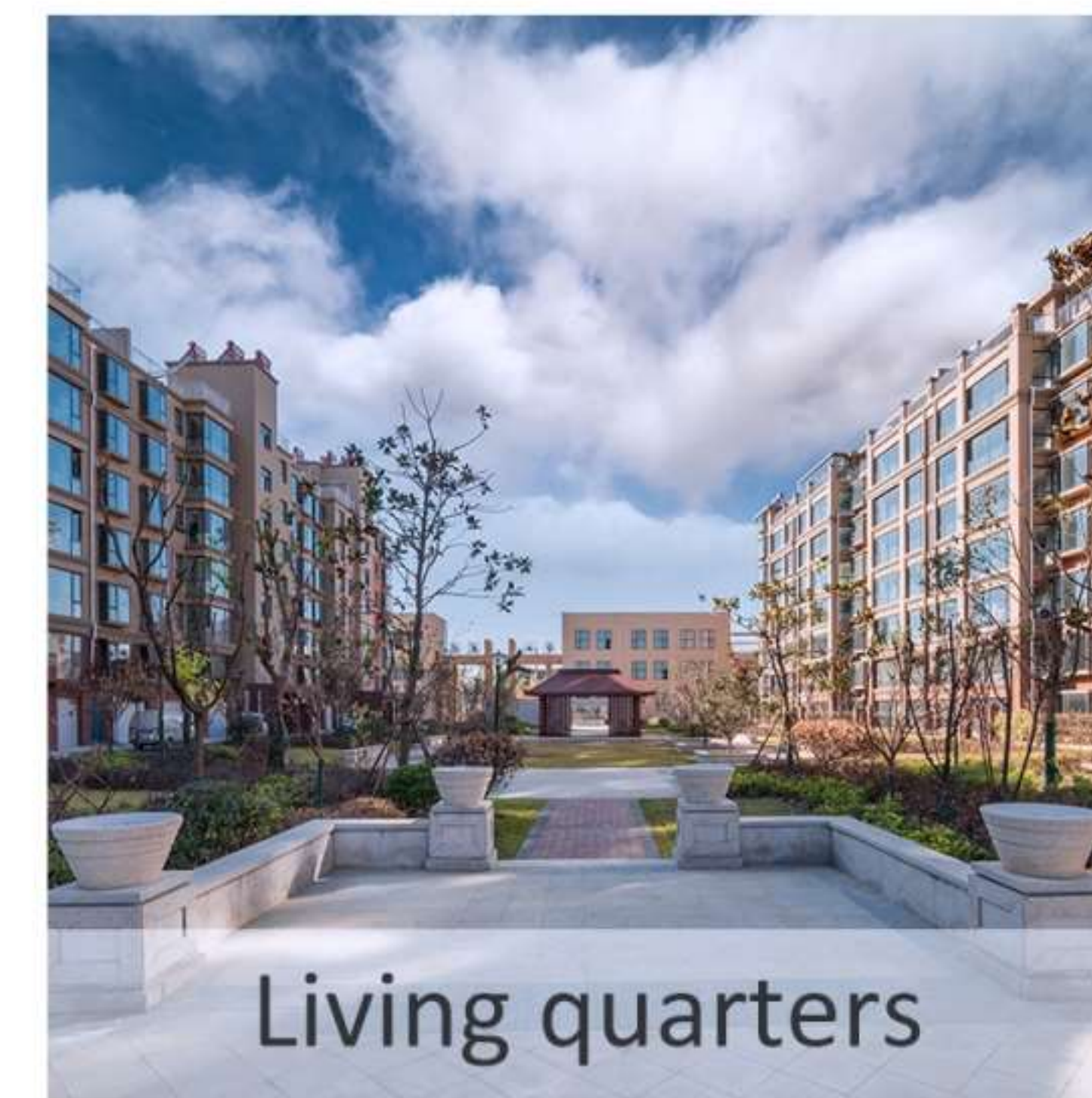


# NOT AFRAID OF THE HEAT AND COLD

LITHIUM FERROPHOSPHATE / TERNARY LITHIUM BATTERY



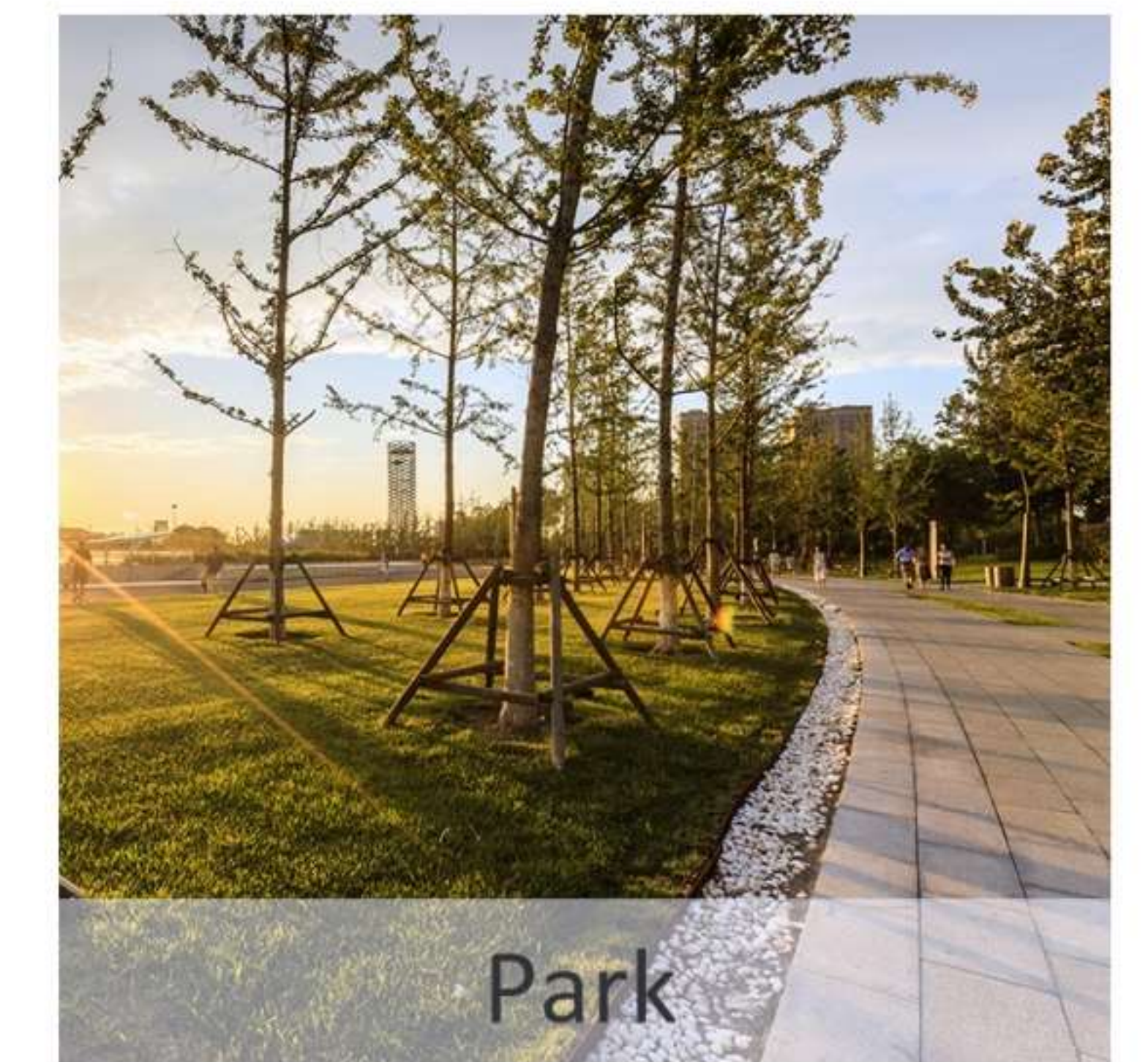
## WIRING-FREE FOR MULTIPLE SCENARIOS



Living quarters



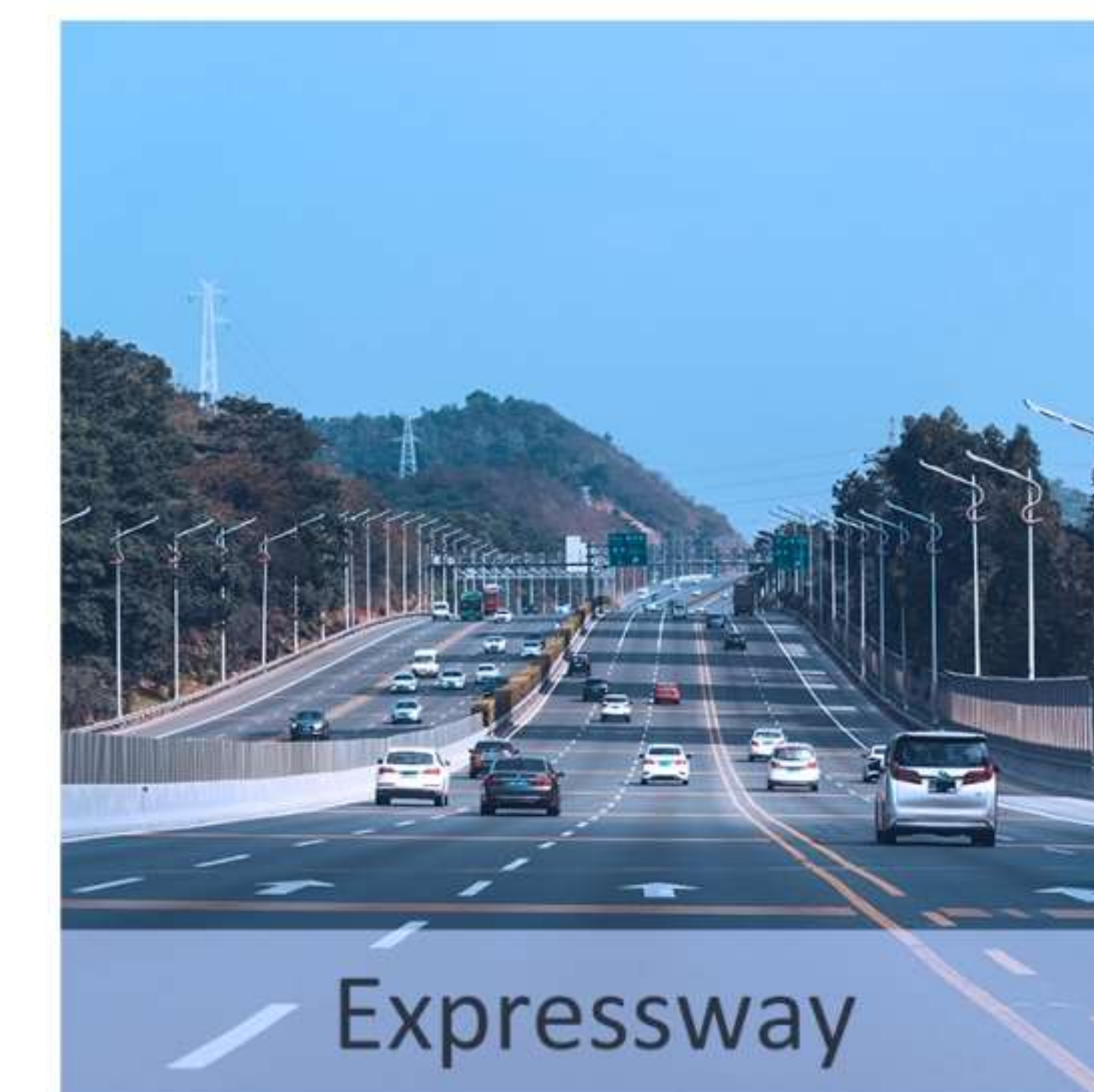
Rural roads



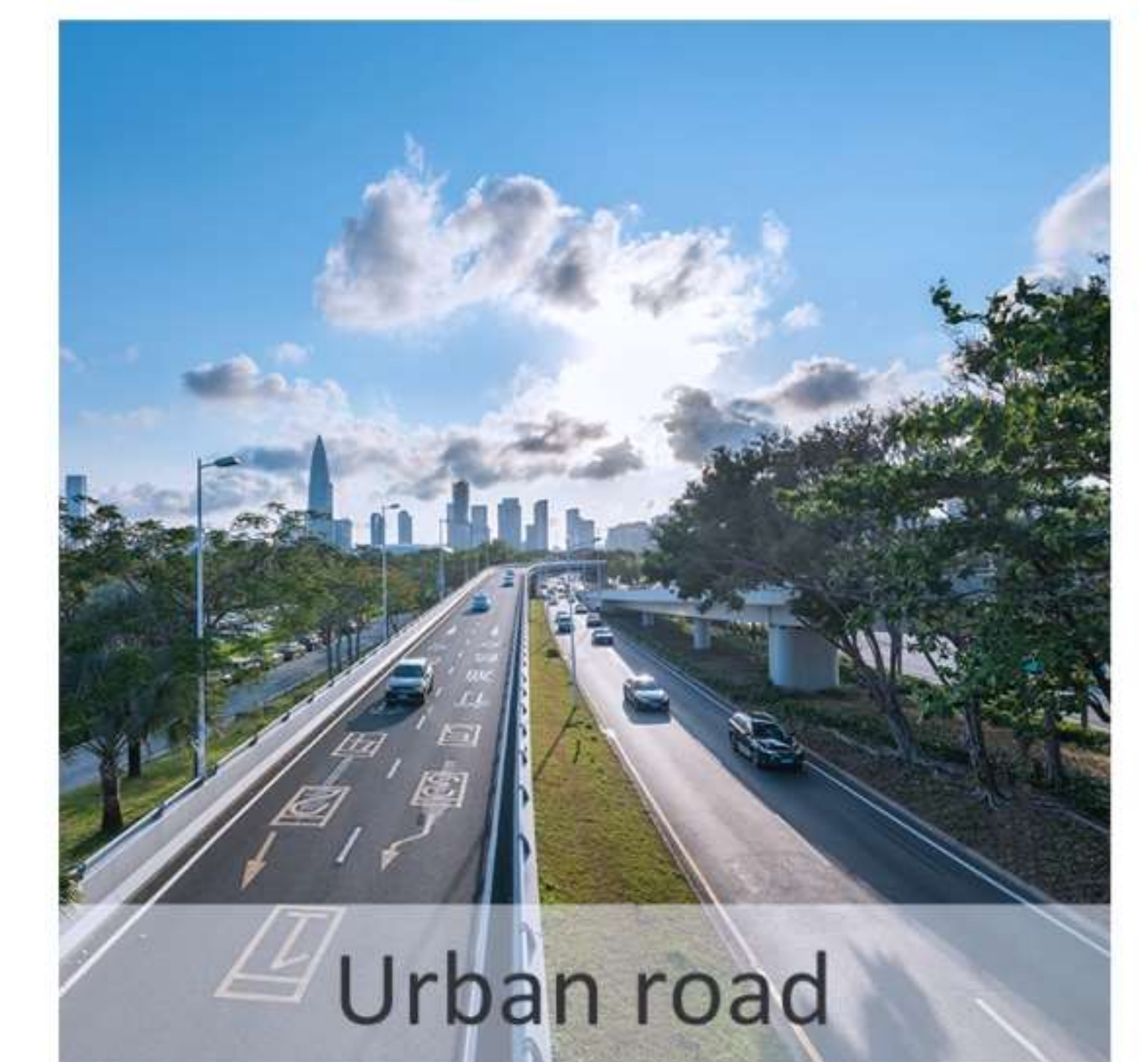
Park



Industrial park



Expressway



Urban road





# NEW PATENT MY SERIES SOLAR LIGHT



MY-04

MY-03

MY-02

MY-01

THREE COLOR TEMPERATURES  
EXIST SIMULTANEOUSLY



FRONT AND BACK PLUGS  
INTO WIND DYNAMICS

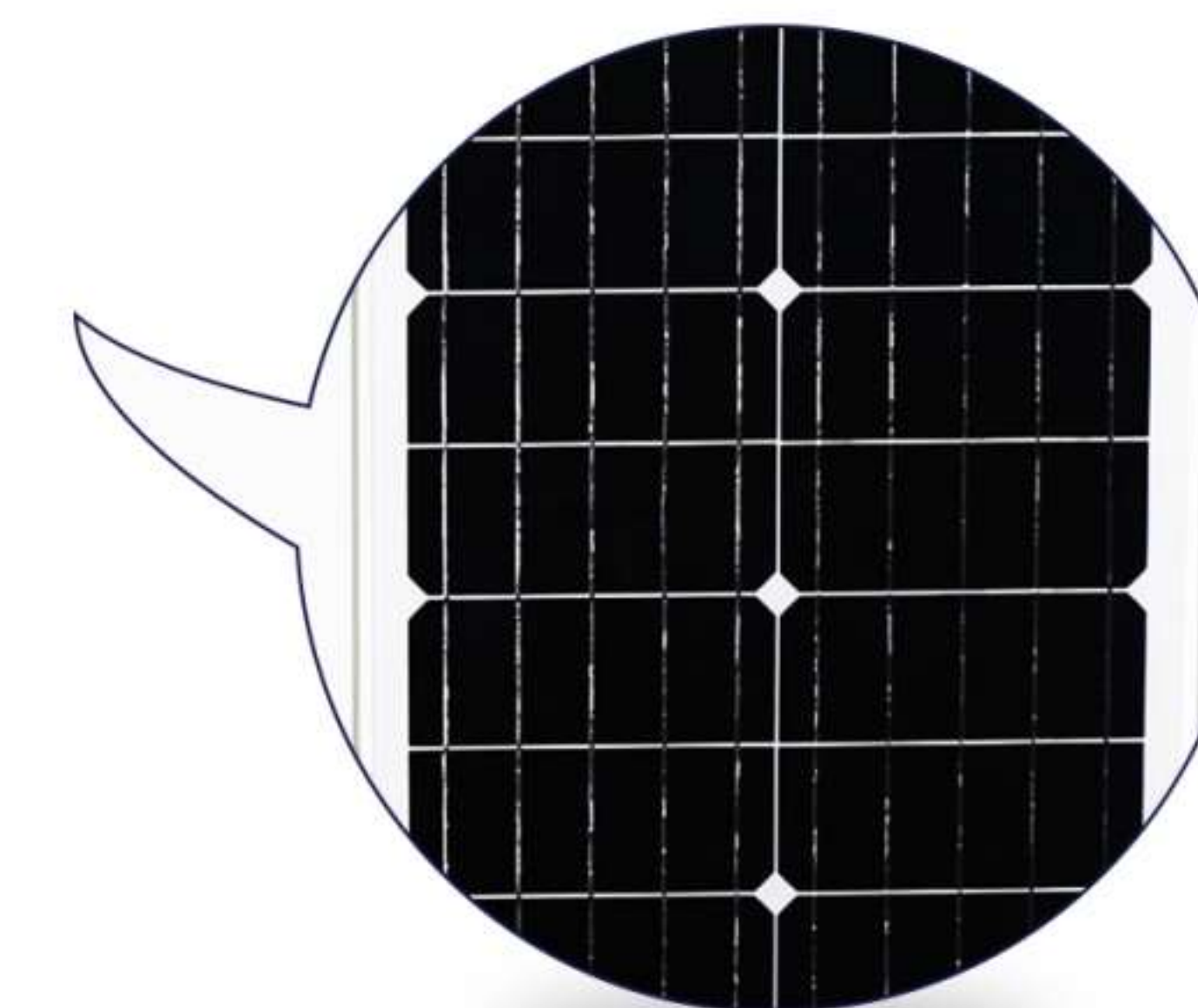
AIRBORNE ALUMINIUM



EXTERNAL SEPARATE  
BATTERY CASE



SELF-DESIGNED LENS  
3030 BRIGHT BEAD



HIGH EFFICIENCY IMPORTED  
MONOCRYSTALLINE  
SOLAR PANEL





|                  |                     |                     |                         |
|------------------|---------------------|---------------------|-------------------------|
| Model            | MY-01               | Working temperature | -20°C~60°C              |
| Battery          | Lithium battery     | Solar panels        | High Efficiency Silicon |
| LED Light source | USA Bridgelux       | Package weight      | 6.5KG                   |
| Lumen            | 4000LM              | Product size        | 740*371*57mm            |
| Protection level | IP66                | Package size        | 795*120*437mm           |
| Working hours    | 12H, 5-7 rainy days |                     |                         |



|                  |                     |                     |                         |
|------------------|---------------------|---------------------|-------------------------|
| Model            | MY-03               | Working temperature | -20°C~60°C              |
| Battery          | Lithium battery     | Solar panels        | High Efficiency Silicon |
| LED Light source | USA Bridgelux       | Package weight      | 10.3KG                  |
| Lumen            | 8000LM              | Product size        | 1116*371*57mm           |
| Protection level | IP66                | Package size        | 1168*120*437mm          |
| Working hours    | 12H, 5-7 rainy days |                     |                         |



|                  |                     |                     |                         |
|------------------|---------------------|---------------------|-------------------------|
| Model            | MY-02               | Working temperature | -20°C~60°C              |
| Battery          | Lithium battery     | Solar panels        | High Efficiency Silicon |
| LED Light source | USA Bridgelux       | Package weight      | 8.15KG                  |
| Lumen            | 6000LM              | Product size        | 881*371*57mm            |
| Protection level | IP66                | Package size        | 930*120*437mm           |
| Working hours    | 12H, 5-7 rainy days |                     |                         |



|                  |                     |                     |                         |
|------------------|---------------------|---------------------|-------------------------|
| Model            | MY-04               | Working temperature | -20°C~60°C              |
| Battery          | Lithium battery     | Solar panels        | High Efficiency Silicon |
| LED Light source | USA Bridgelux       | Package weight      | 11.95KG                 |
| Lumen            | 10000LM             | Product size        | 1305*371*57mm           |
| Protection level | IP66                | Package size        | 1355*120*437mm          |
| Working hours    | 12H, 5-7 rainy days |                     |                         |





## DM SERIES

---

DM series, follow the detailed design of KK series, and improve the spirituality of replacement, combined with our company's private model products. The surface is treated with a special spray-second oxidation treatment, dazzling in the sun during the day, and the light source is bright at night, so it is called diamond. The front and rear plugs are made of die-cast aluminum, and the jacket is on the main profile. The theme is made of aluminum once. The overall structure is smooth and more protective. The light source uses the latest optical technology and high-lumen lamp beads, with a wide shooting angle and ultra-high brightness, which meets international road standards. At the same time, the appearance adopts innovative humanized design, additional controller and electric floor box replacement window, more convenient maintenance. The interior uses a fully waterproof, heat-insulation and anti-life engineering molecular battery box, with a solid texture, environmental protection and lightness, and a waterproof rating of IP66. .Using the self-developed fifth-generation intelligent controller, let rainy days no longer trouble you. Palm remote control, free switch, switch between three modes at will, let you play in various environments

# DIAMOND SERIES

---



## Product details



## Product advantages:



### Independent private model battery box

The whole lamp is IP66 level protection, and the battery is equipped with a private model of independent battery box protection, which is effectively waterproof, dustproof, and impact-resistant. Compared with batteries without battery box protection, the service life is prolonged by 2 times.



### Remote control

The solar street lamp is equipped with a remote control, which can set the working mode of the street lamp to adapt to various complex lighting environments; common modes are: time control mode, induction mode, mixed mode, etc.;



### Modular design

The overall use of modular design, detachable battery box, detachable controller, easy installation and later maintenance;



### Efficient polycrystalline solar panel

The solar panel adopts imported high-efficiency polycrystalline silicon wafer, which has a long service life and a conversion rate of more than 19%. It can be charged even in a rainy and rainy environment.



### Ready to install and use without wiring

Compared with the city circuit lights, the solar street lights use a cleaner solar energy source, without the need for additional wiring and post-maintenance, and they are installed and used;



### Multiple sensing modes

Solar street lights are equipped with light sensing, automatic charging during the day, and automatic lighting at night to achieve full automation; with infrared human sensor head, people come to full light, people walk to save energy, can maximize the length of lighting;



### Aluminum die-casting

The whole adopts one-time die-casting aluminum profile, has an independent private mold appearance, has the characteristics of small density, high strength, good corrosion resistance and oxidation resistance, and also maintains good mechanical properties when working at high or low temperatures;



### 3030 Modular light source

The lamp beads are all imported chips, which have the advantages of high brightness, low attenuation, low energy consumption, long life and strong antistatic ability. The products are encapsulated in silicone, which meets the requirements of environmentally friendly lead-free process products.



### IP66 waterproof rating

The solar street lamp has passed the IP66 waterproof rating of the international standard; even in harsh environments, it can work normally to meet the installation needs of different customers;



### The service life is more than 50000 hours.

Based on the concept of optimal selection, our company has carried out rigorous research on the material selection of the product, and adopted a standardized production process for every detail and process of the product to ensure that each product is delivered before leaving the factory. Both performance and life cycle conform to the slogan of the promotion;





|                   |                                       |                     |                                       |
|-------------------|---------------------------------------|---------------------|---------------------------------------|
| Model             | DM-820                                | Working temperature | -20°C~60°C                            |
| Battery           | Efficient imported lithium battery    | Protection level    | TUV IP66                              |
| LED Light source  | USA Bridgelux                         | Solar Panel         | Efficient imported silicon solar cell |
| Color temperature | 6000-7000K                            | Gross weight        | 7.45KG                                |
| Lumen             | 2400LM                                | Package size        | 825*425*130MM<br>/250*220*155MM       |
| Working hours     | 10-12 hours per night, 5-7 rainy days |                     |                                       |



|                   |                                       |                     |                                       |
|-------------------|---------------------------------------|---------------------|---------------------------------------|
| Model             | DM-850                                | Working temperature | -20°C~60°C                            |
| Battery           | Efficient imported lithium battery    | Protection level    | TUV IP66                              |
| LED Light source  | USA Bridgelux                         | Solar Panel         | Efficient imported silicon solar cell |
| Color temperature | 6000-7000K                            | Gross weight        | 12KG                                  |
| Lumen             | 6000LM                                | Package size        | 1300*410*145MM<br>/250*220*155MM      |
| Working hours     | 10-12 hours per night, 5-7 rainy days |                     |                                       |



|                   |                                       |                     |                                       |
|-------------------|---------------------------------------|---------------------|---------------------------------------|
| Model             | DM-830                                | Working temperature | -20°C~60°C                            |
| Battery           | Efficient imported lithium battery    | Protection level    | TUV IP66                              |
| LED Light source  | USA Bridgelux                         | Solar Panel         | Efficient imported silicon solar cell |
| Color temperature | 6000-7000K                            | Gross weight        | 8.75KG                                |
| Lumen             | 3600LM                                | Package size        | 990*413*135MM<br>/250*220*155MM       |
| Working hours     | 10-12 hours per night, 5-7 rainy days |                     |                                       |



|                   |                                       |                     |                                       |
|-------------------|---------------------------------------|---------------------|---------------------------------------|
| Model             | DM-860                                | Working temperature | -20°C~60°C                            |
| Battery           | Efficient imported lithium battery    | Protection level    | TUV IP66                              |
| LED Light source  | USA Bridgelux                         | Solar Panel         | Efficient imported silicon solar cell |
| Color temperature | 6000-7000K                            | Gross weight        | 14.1KG                                |
| Lumen             | 7200LM                                | Package size        | 1420*95*365MM<br>/250*220*155MM       |
| Working hours     | 10-12 hours per night, 5-7 rainy days |                     |                                       |



|                   |                                       |                     |                                       |
|-------------------|---------------------------------------|---------------------|---------------------------------------|
| Model             | DM-840                                | Working temperature | -20°C~60°C                            |
| Battery           | Efficient imported lithium battery    | Protection level    | TUV IP66                              |
| LED Light source  | USA Bridgelux                         | Solar Panel         | Efficient imported silicon solar cell |
| Color temperature | 6000-7000K                            | Gross weight        | 10.2KG                                |
| Lumen             | 4800LM                                | Package size        | 1110*380*110MM<br>/250*220*155MM      |
| Working hours     | 10-12 hours per night, 5-7 rainy days |                     |                                       |

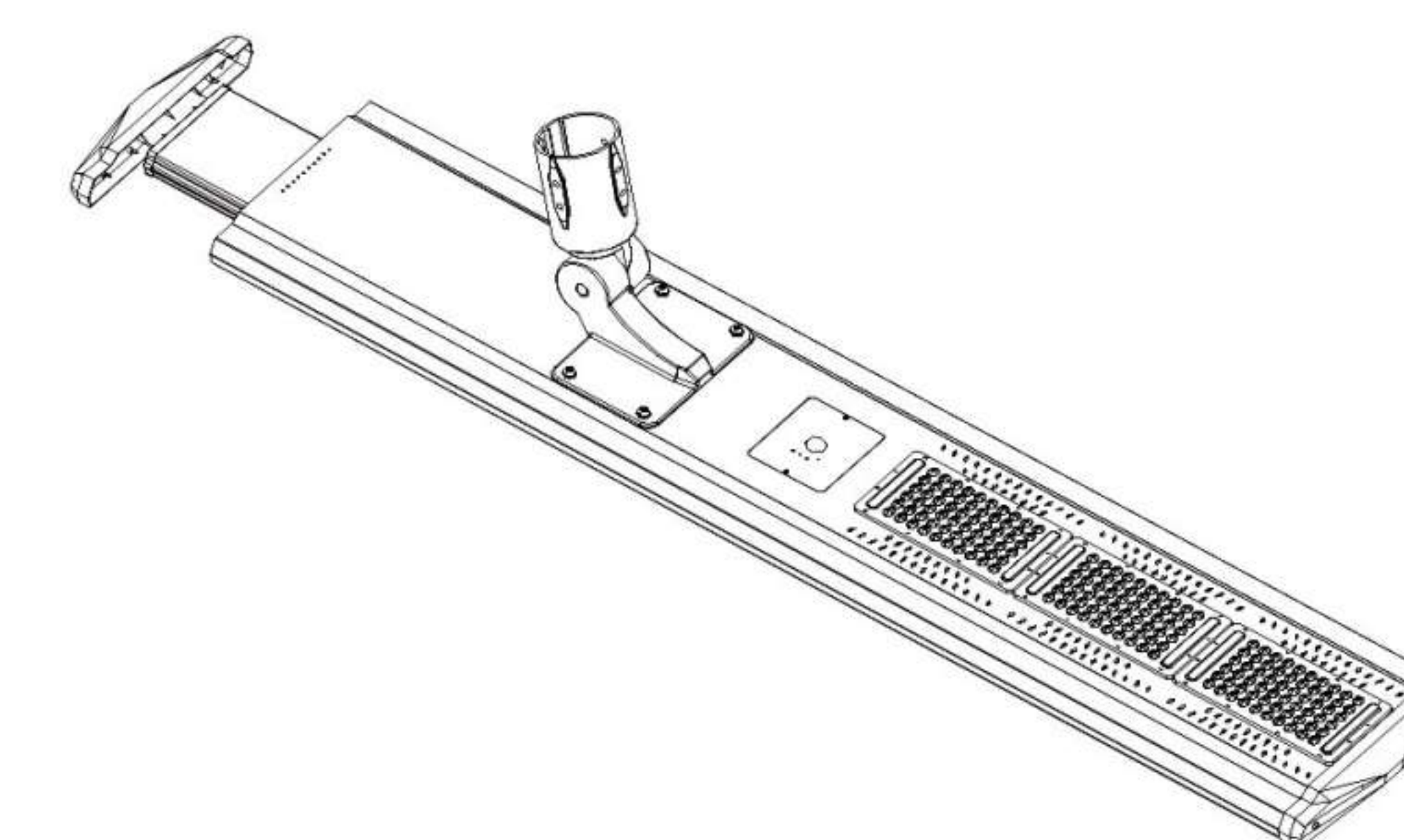
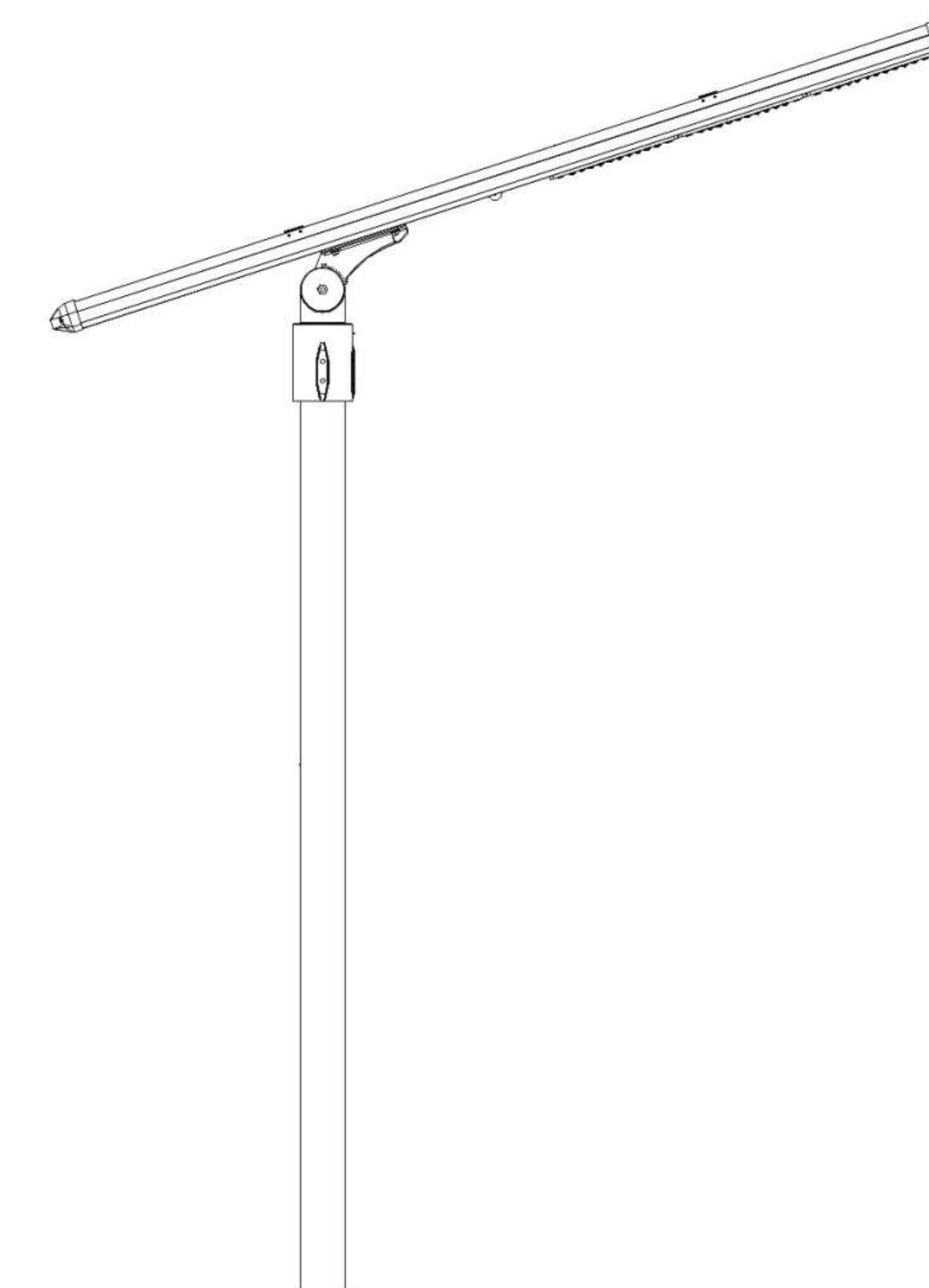
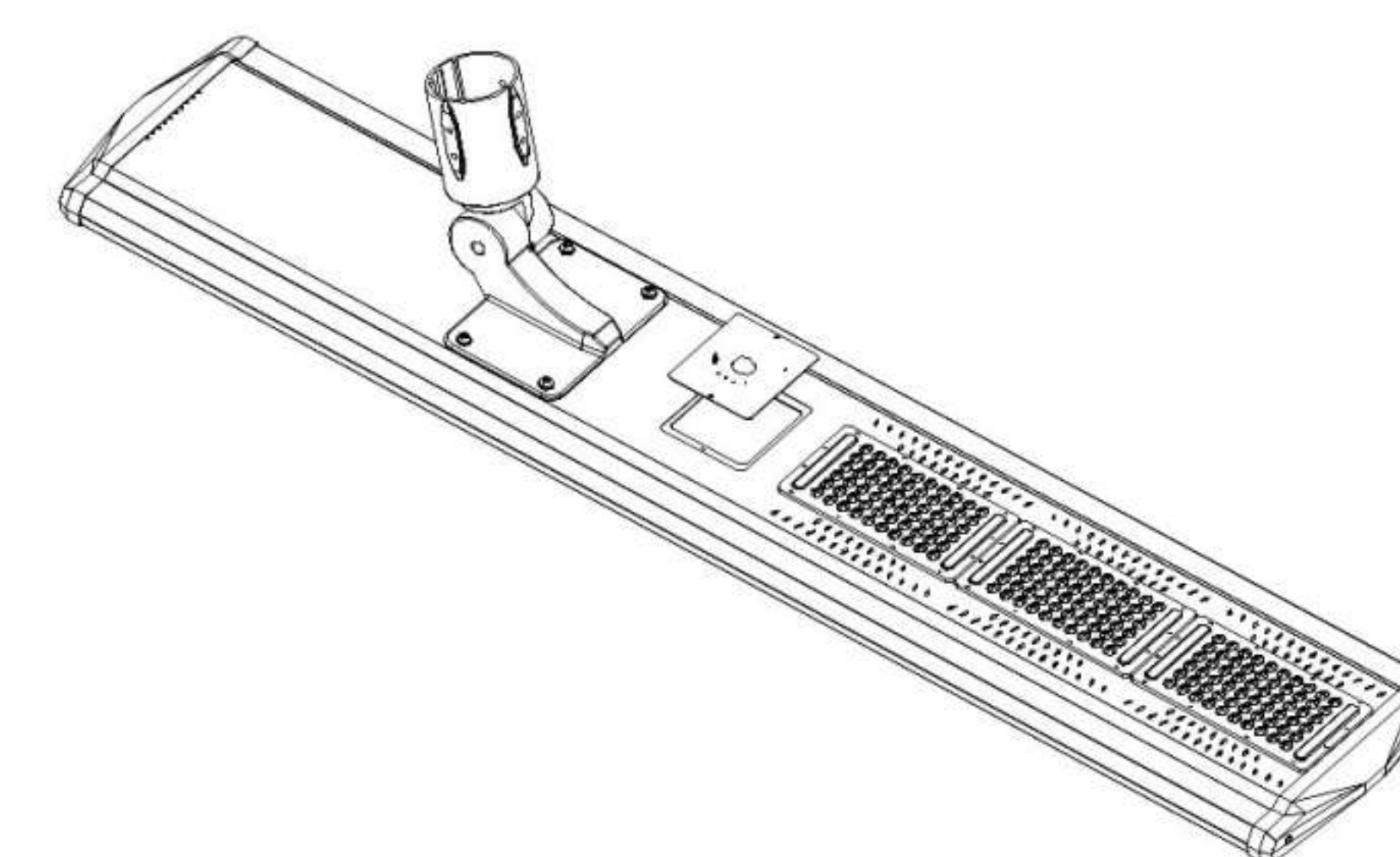
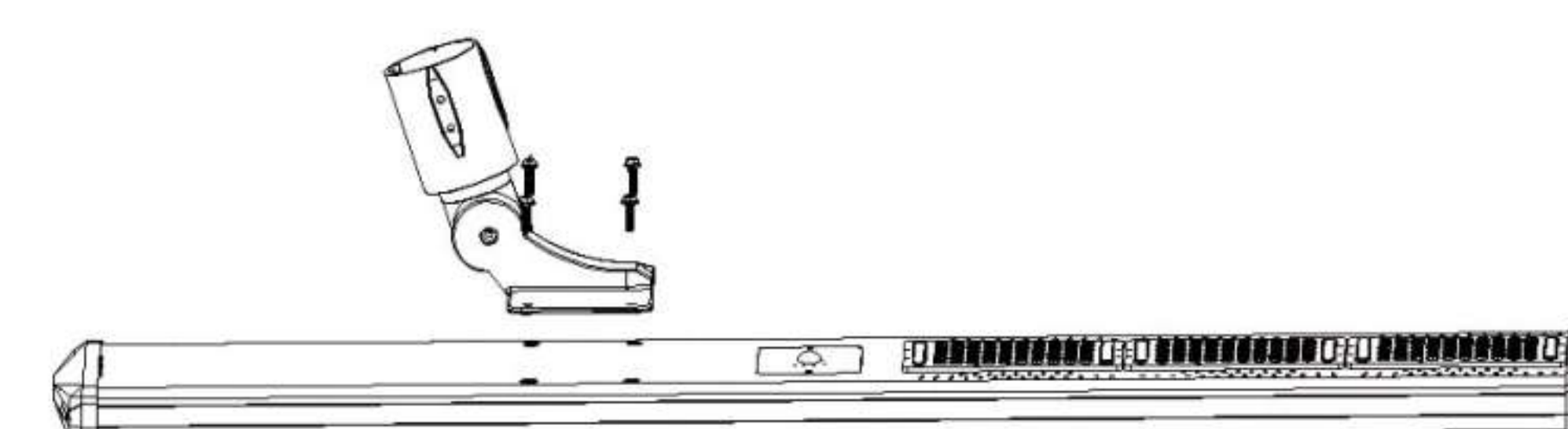


|                   |                                       |                     |                                       |
|-------------------|---------------------------------------|---------------------|---------------------------------------|
| Model             | DM-880                                | Working temperature | -20°C~60°C                            |
| Battery           | Efficient imported lithium battery    | Protection level    | TUV IP66                              |
| LED Light source  | USA Bridgelux                         | Solar Panel         | Efficient imported silicon solar cell |
| Color temperature | 6000-7000K                            | Gross weight        | 15.25KG                               |
| Lumen             | 9600LM                                | Package size        | 1580*95*365MM<br>/250*220*155MM       |
| Working hours     | 10-12 hours per night, 5-7 rainy days |                     |                                       |





|                    |  |                         |   |
|--------------------|--|-------------------------|---|
| Modelo             | DM-8100                                  | Temperatura de trabalho | -20°C~60°C                                  |
| Bateria            | Bateria de lítio importada eficiente     | Nível de proteção       | TUV IP66                                    |
| Fonte de luz LED   | EUA Bridgelux                            | Painel solar            | célula solar de silício importado eficiente |
| Temperatura de cor | 6000-7000K                               | Peso Bruto              | 22.65KG                                     |
| Lúmen              | 12000LM                                  | Tamanho do pacote       | 1750*135*370MM<br>250*220*155MM             |
| Horas de trabalho  | 10-12 horas por noite, 5-7 dias chuvosos |                         |   |







**FX SERIES**

# MULTIMODE CONVERSION

Remote control control conversion mode  
One lamp, multiple modes, change if you want



TIME CONTROL MODE    MIXED MODE    INDUCTION MODE

SMOOTH STRUCTURE  
BEAUTIFUL APPEARANCE



REMOTE CONTROL  
MULTI MODE  
CONVERSION



3030 LIGHT SOURCE  
ULTRA HIGH  
BRIGHTNESS



INTELLIGENT  
INDUCTION



HORIZONTAL SLEEVE  
EASY TO INSTALL







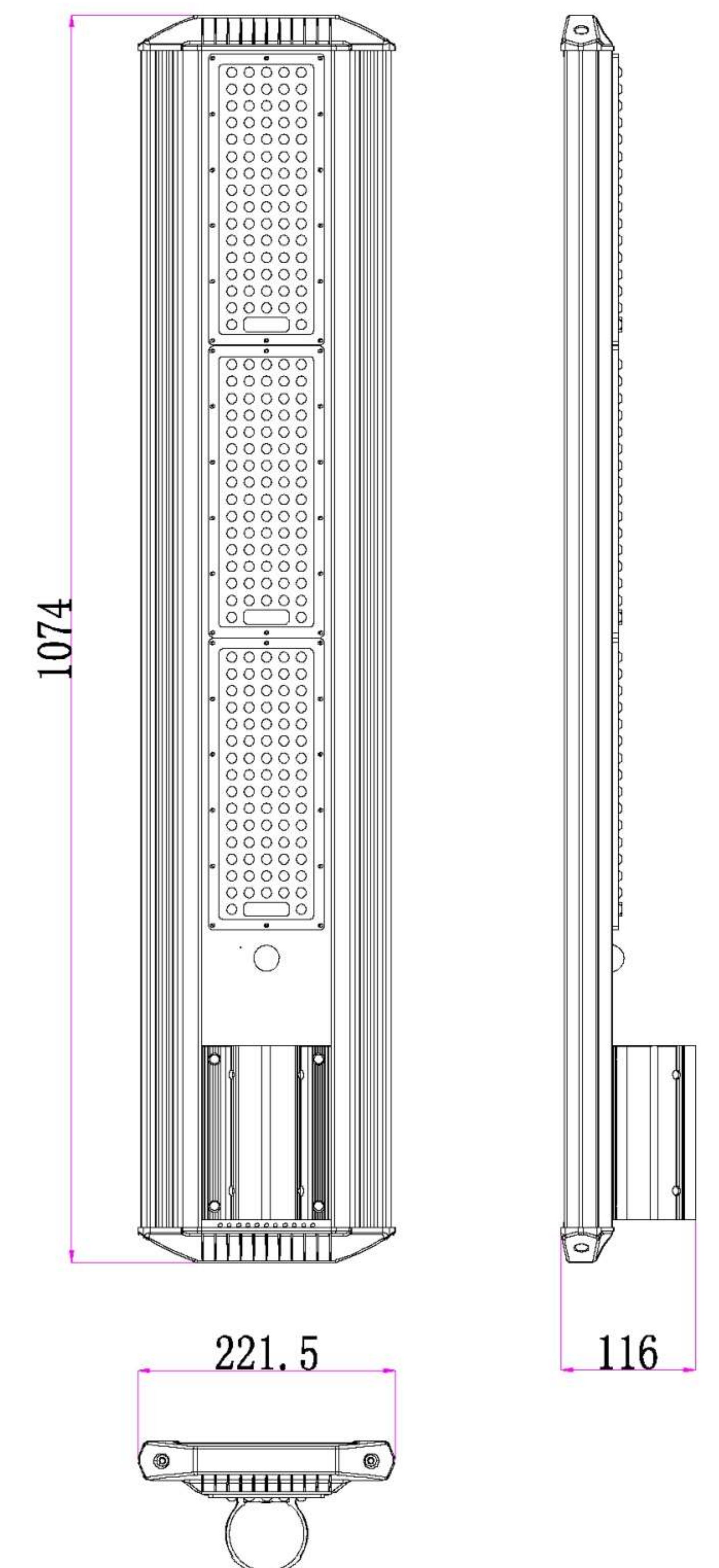
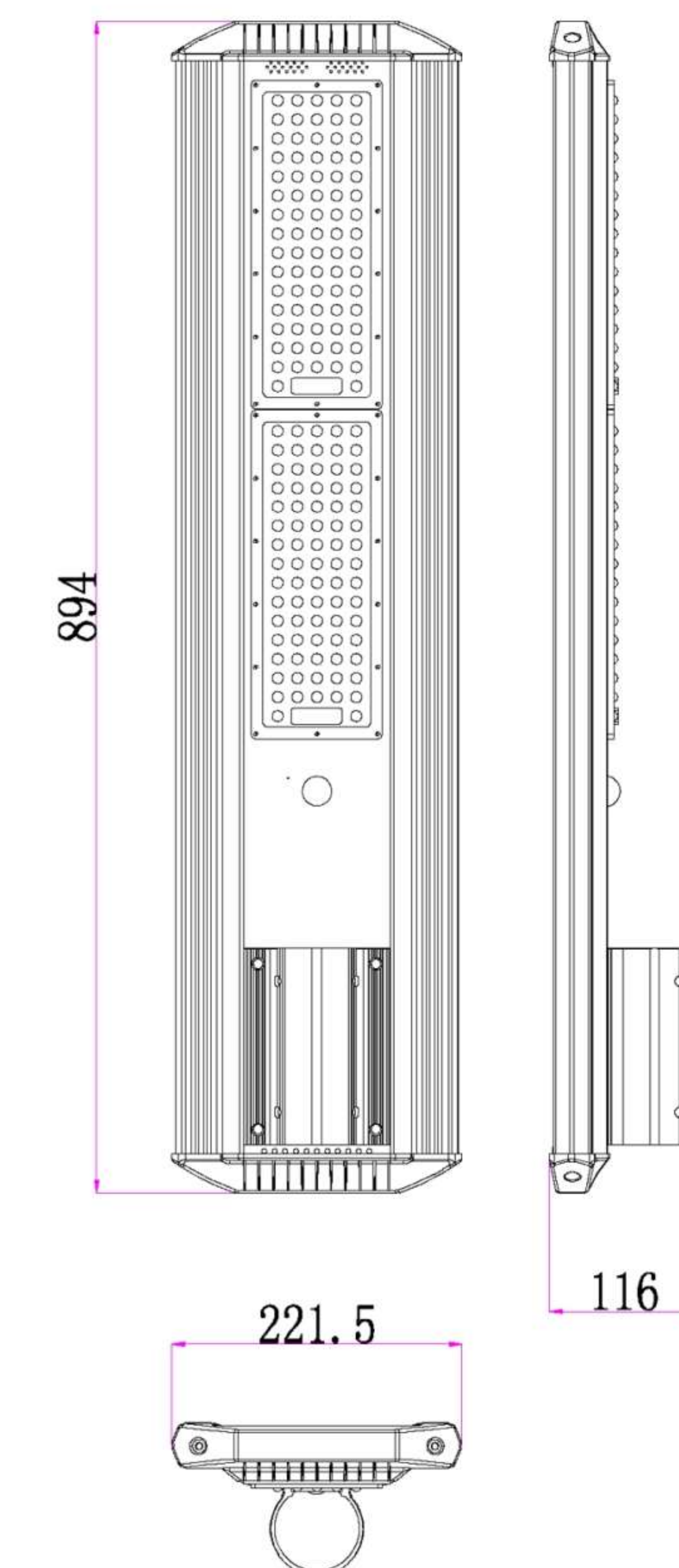
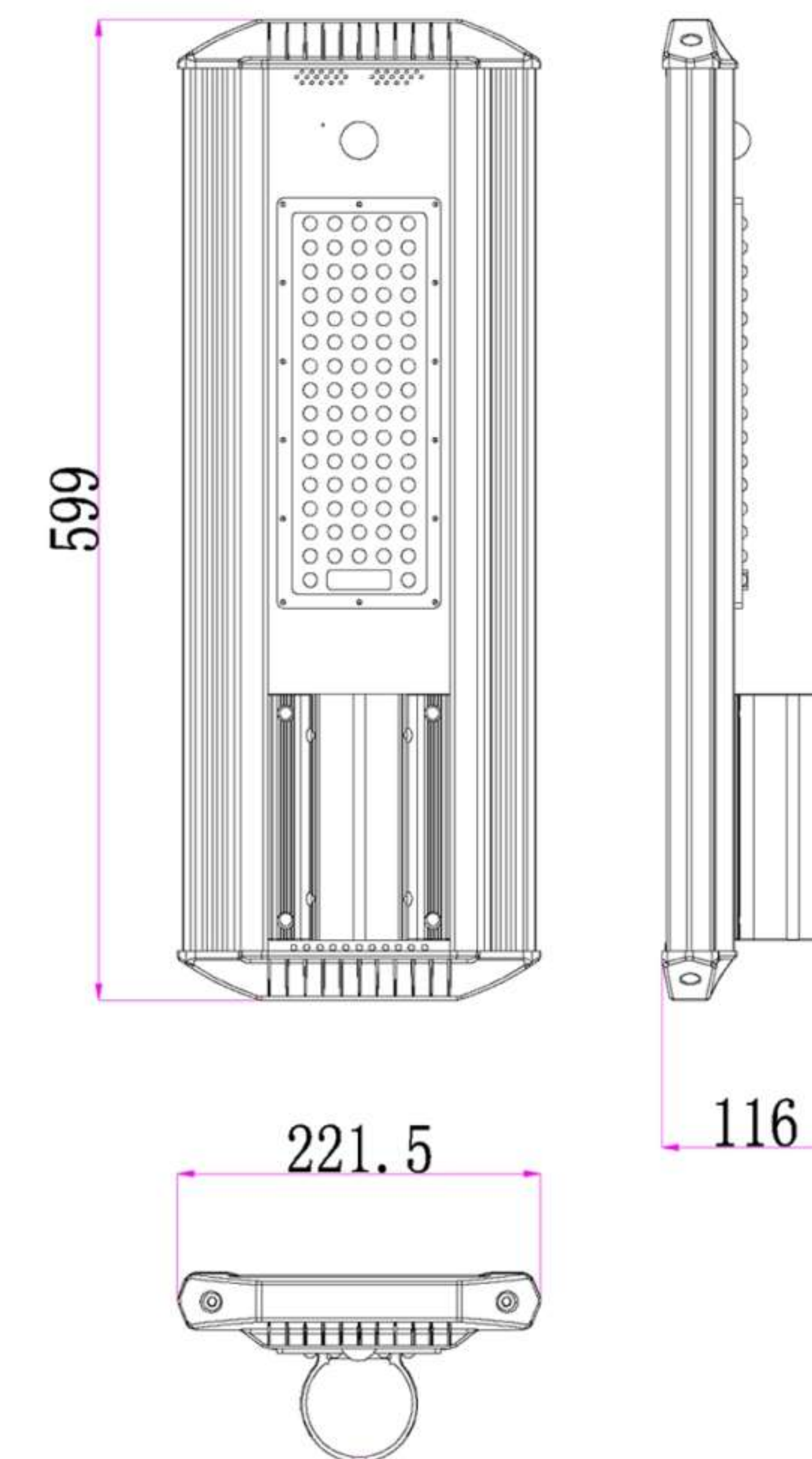
|                  |                     |                     |                         |
|------------------|---------------------|---------------------|-------------------------|
| Model            | FX-01               | Working temperature | -20°C~60°C              |
| Battery          | Lithium battery     | Solar panels        | High Efficiency Silicon |
| LED Light source | USA Bridgelux       | Package weight      | 4.5KG                   |
| Lumen            | 2000LM              | Product size        | 595*222*116mm           |
| Protection level | IP66                | Package size        | 750*100*280mm           |
| Working hours    | 12H, 3-5 rainy days |                     |                         |



|                  |                     |                     |                         |
|------------------|---------------------|---------------------|-------------------------|
| Model            | FX-02               | Working temperature | -20°C~60°C              |
| Battery          | Lithium battery     | Solar panels        | High Efficiency Silicon |
| LED Light source | USA Bridgelux       | Package weight      | 5.2KG                   |
| Lumen            | 3000LM              | Product size        | 890*222*116mm           |
| Protection level | IP66                | Package size        | 1045*100*280mm          |
| Working hours    | 12H, 3-5 rainy days |                     |                         |



|                  |                     |                     |                         |
|------------------|---------------------|---------------------|-------------------------|
| Model            | FX-03               | Working temperature | -20°C~60°C              |
| Battery          | Lithium battery     | Solar panels        | High Efficiency Silicon |
| LED Light source | USA Bridgelux       | Package weight      | 6.35KG                  |
| Lumen            | 4000LM              | Product size        | 1074*222*116mm          |
| Protection level | IP66                | Package size        | 1240*100*280mm          |
| Working hours    | 12H, 3-5 rainy days |                     |                         |

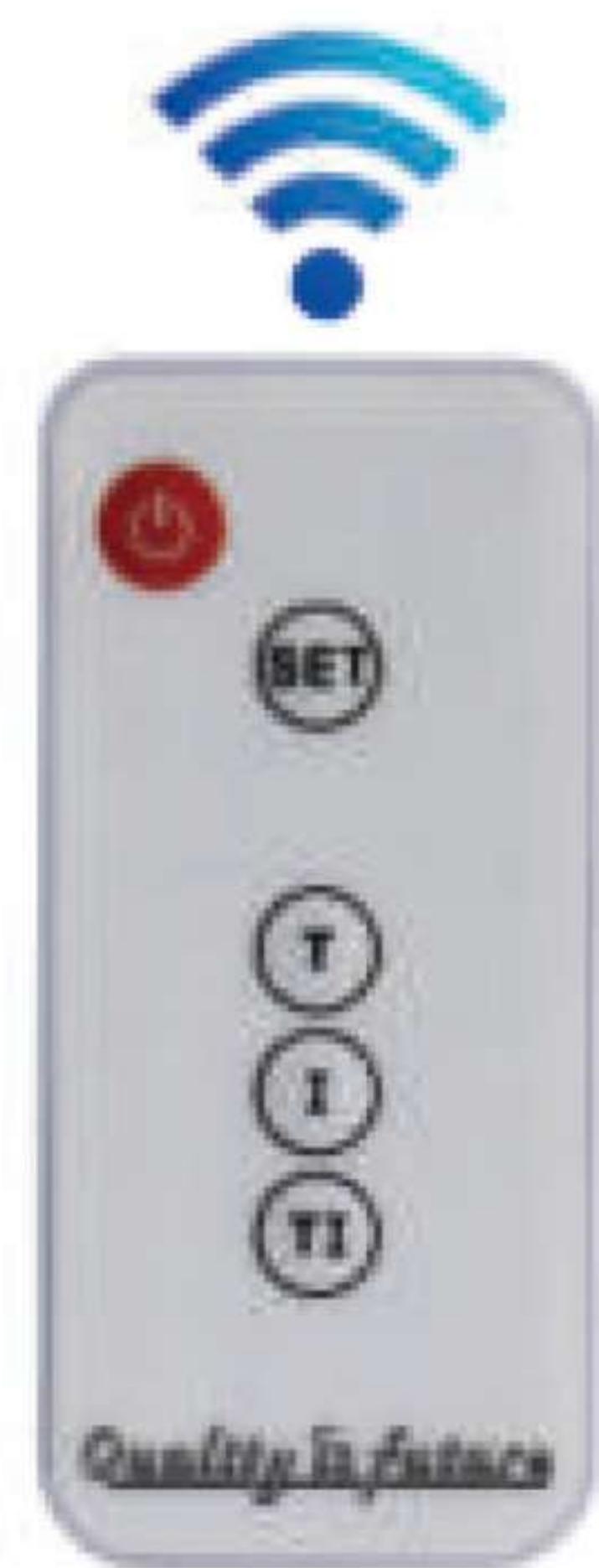




*King kong  
series*







  
Lightning protection

  
Anti-typhoon

  
Rainproof

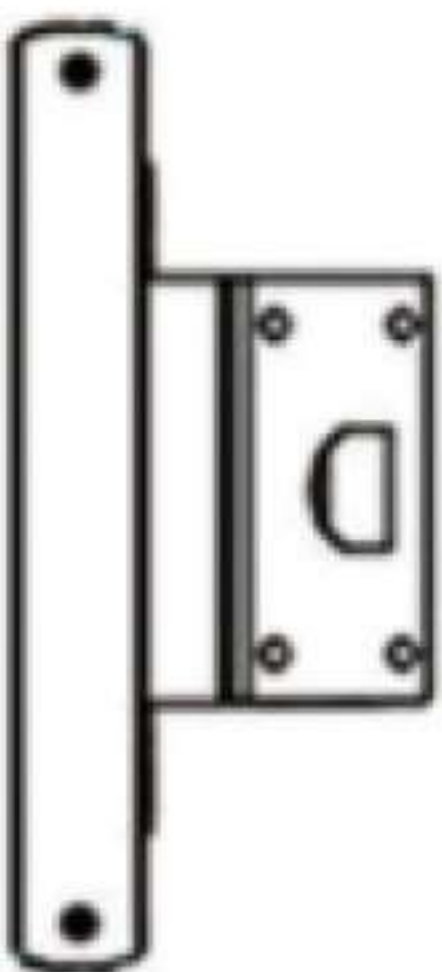
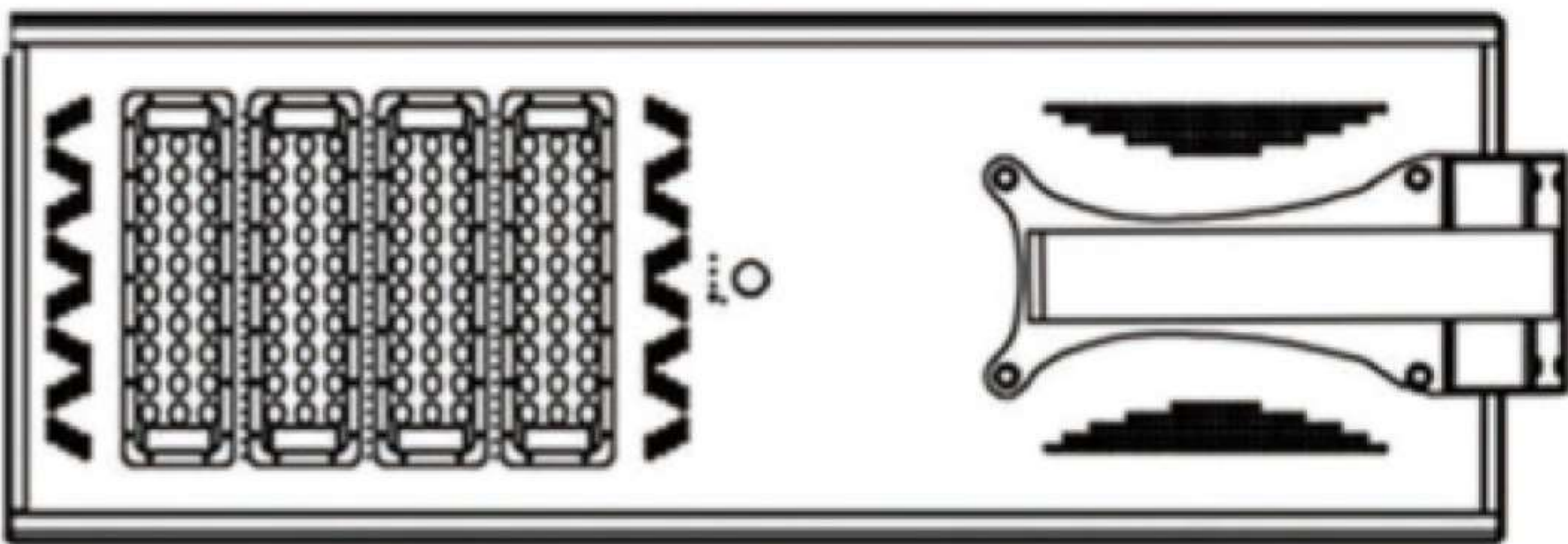
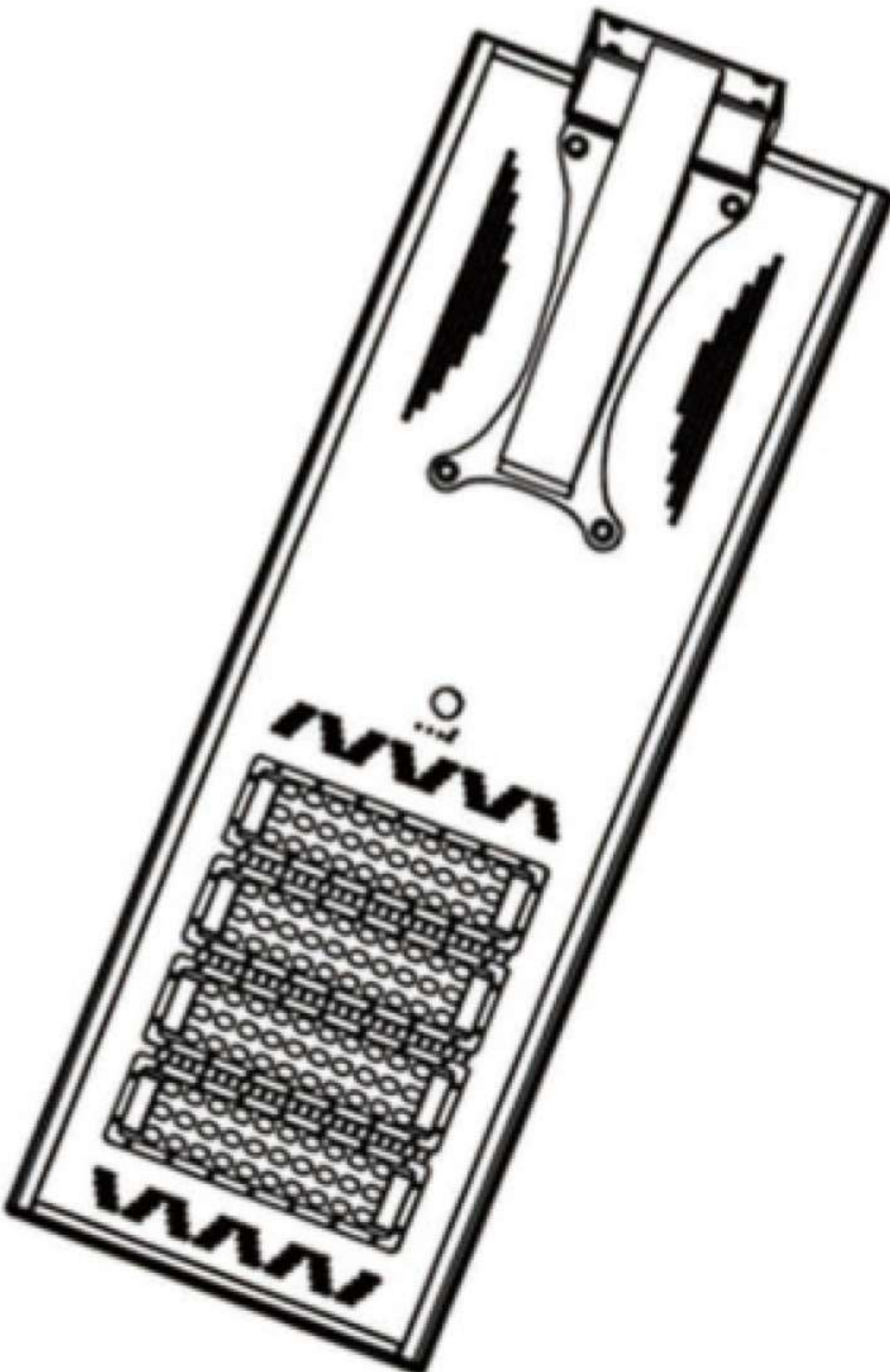
  
Suitable for various outdoor complex environments

  
High heat dissipation

  
High and low temperature resistant



# PRODUCT DETAILS



# PRODUCT FEATURE







|                   |                                       |                     |                                       |
|-------------------|---------------------------------------|---------------------|---------------------------------------|
| Model             | KK-730                                | Working temperature | -20°C~60°C                            |
| Battery           | Efficient imported lithium battery    | Protection level    | TUV IP65                              |
| LED Light source  | USA Bridgelux                         | Solar Panel         | Efficient imported silicon solar cell |
| Color temperature | 6000-7000K                            | Gross weight        | 7.5KG                                 |
| Lumen             | 3300LM                                | Package size        | 680*430*150MM                         |
| Working hours     | 10-12 hours per night, 5-7 rainy days |                     |                                       |



|                   |                                       |                     |                                       |
|-------------------|---------------------------------------|---------------------|---------------------------------------|
| Model             | KK-780                                | Working temperature | -20°C~60°C                            |
| Battery           | Efficient imported lithium battery    | Protection level    | TUV IP65                              |
| LED Light source  | USA Bridgelux                         | Solar Panel         | Efficient imported silicon solar cell |
| Color temperature | 6000-7000K                            | Gross weight        | 13.7KG                                |
| Lumen             | 8800LM                                | Package size        | 1120*430*240MM                        |
| Working hours     | 10-12 hours per night, 5-7 rainy days |                     |                                       |



|                   |                                       |                     |                                       |
|-------------------|---------------------------------------|---------------------|---------------------------------------|
| Model             | KK-740                                | Working temperature | -20°C~60°C                            |
| Battery           | Efficient imported lithium battery    | Protection level    | TUV IP65                              |
| LED Light source  | USA Bridgelux                         | Solar Panel         | Efficient imported silicon solar cell |
| Color temperature | 6000-7000K                            | Gross weight        | 10.1KG                                |
| Lumen             | 4400LM                                | Package size        | 770*430*240MM                         |
| Working hours     | 10-12 hours per night, 5-7 rainy days |                     |                                       |



|                   |                                       |                     |                                       |
|-------------------|---------------------------------------|---------------------|---------------------------------------|
| Model             | KK-7100                               | Working temperature | -20°C~60°C                            |
| Battery           | Efficient imported lithium battery    | Protection level    | TUV IP65                              |
| LED Light source  | USA Bridgelux                         | Solar Panel         | Efficient imported silicon solar cell |
| Color temperature | 6000-7000K                            | Gross weight        | 15.15KG                               |
| Lumen             | 11000LM                               | Package size        | 1260*420*222MM                        |
| Working hours     | 10-12 hours per night, 5-7 rainy days |                     |                                       |



|                   |                                       |                     |                                       |
|-------------------|---------------------------------------|---------------------|---------------------------------------|
| Model             | KK-760                                | Working temperature | -20°C~60°C                            |
| Battery           | Efficient imported lithium battery    | Protection level    | TUV IP65                              |
| LED Light source  | USA Bridgelux                         | Solar Panel         | Efficient imported silicon solar cell |
| Color temperature | 6000-7000K                            | Gross weight        | 11.65KG                               |
| Lumen             | 6600LM                                | Package size        | 910*430*240MM                         |
| Working hours     | 10-12 hours per night, 5-7 rainy days |                     |                                       |



|                   |                                       |                     |                                       |
|-------------------|---------------------------------------|---------------------|---------------------------------------|
| Model             | KK-7120                               | Working temperature | -20°C~60°C                            |
| Battery           | Efficient imported lithium battery    | Protection level    | TUV IP65                              |
| LED Light source  | USA Bridgelux                         | Solar Panel         | Efficient imported silicon solar cell |
| Color temperature | 6000-7000K                            | Gross weight        | 19.35KG                               |
| Lumen             | 13000LM                               | Package size        | 1265*195*505MM                        |
| Working hours     | 10-12 hours per night, 5-7 rainy days |                     |                                       |





**01** First, turn on the solar street lamp, install it to the place where lighting monitoring is needed, and then turn on the hot spot of mobile phone to connect to the camera

## DIAMOND MONITORING

**02** The mobile phone downloads the corresponding app software and operates to connect the camera to the nearby WiFi or the network with 4G mobile card in the camera, so as to realize real-time remote viewing and monitoring



**03**



- The camera works continuously for 24 hours and continuously monitors for 365 days

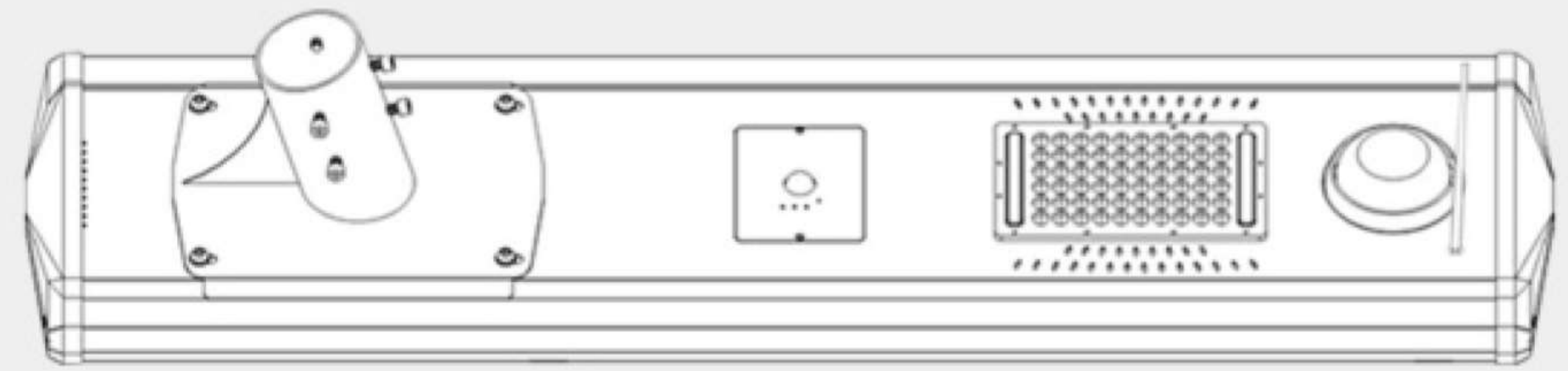


- Automatic light on in the dark, automatic light off in the morning



- The camera has its own storage function. When the memory card is inserted, the video can be saved automatically.

**04**



Intelligent sensor



AI imaging technology



1280 \* 720 HD resolution



HD night vision



Wireless WiFi



# DIAMOND MONITORING

Solar street lights

Guard safety forever day and night.



IP65 waterproof



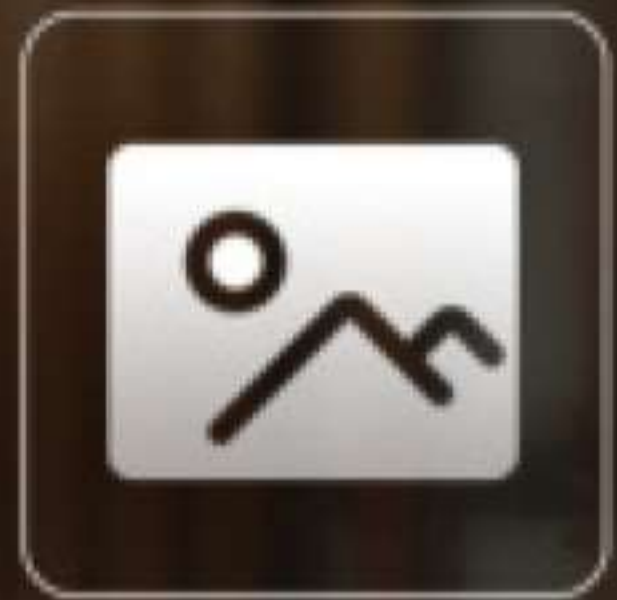
Aperture increase



Circular recording



App upgrade



Picture quality upgrade



Mirror finishing



|                   |                                    |                     |                                       |
|-------------------|------------------------------------|---------------------|---------------------------------------|
| Model             | CAM 15W                            | Working temperature | -20°C~60°C                            |
| Battery           | Efficient imported lithium battery | Protection level    | TUV IP65                              |
| LED Light source  | Taiwan Everlight                   | Solar Panel         | Efficient imported silicon solar cell |
| Color temperature | 6000-7000K                         | Package size        | 950*160*370MM<br>/250*220*155MM       |
| Lumen             | 1800LM                             |                     |                                       |
| Working hours     | 12 hours per night, 5-7 rainy days |                     |                                       |



|                   |                                    |                     |                                       |
|-------------------|------------------------------------|---------------------|---------------------------------------|
| Model             | CAM 30W                            | Working temperature | -20°C~60°C                            |
| Battery           | Efficient imported lithium battery | Protection level    | TUV IP65                              |
| LED Light source  | USA Bridgelux                      | Solar Panel         | Efficient imported silicon solar cell |
| Color temperature | 6000-7000K                         | Package size        | 1260*160*370MM<br>/250*220*155MM      |
| Lumen             | 3600LM                             |                     |                                       |
| Working hours     | 12 hours per night, 5-7 rainy days |                     |                                       |



|                   |                                    |                     |                                       |
|-------------------|------------------------------------|---------------------|---------------------------------------|
| Model             | CAM 60W                            | Working temperature | -20°C~60°C                            |
| Battery           | Efficient imported lithium battery | Protection level    | TUV IP65                              |
| LED Light source  | USA Bridgelux                      | Solar Panel         | Efficient imported silicon solar cell |
| Color temperature | 6000-7000K                         | Package size        | 1580*160*370MM<br>/250*220*155MM      |
| Lumen             | 7200LM                             |                     |                                       |
| Working hours     | 12 hours per night, 5-7 rainy days |                     |                                       |





# ACI SERIES

## Specification

### Product Feature



Private mold plug, smooth appearance and structure, and beautiful overall appearance



Automatic Clean System, Cleaning per four hours



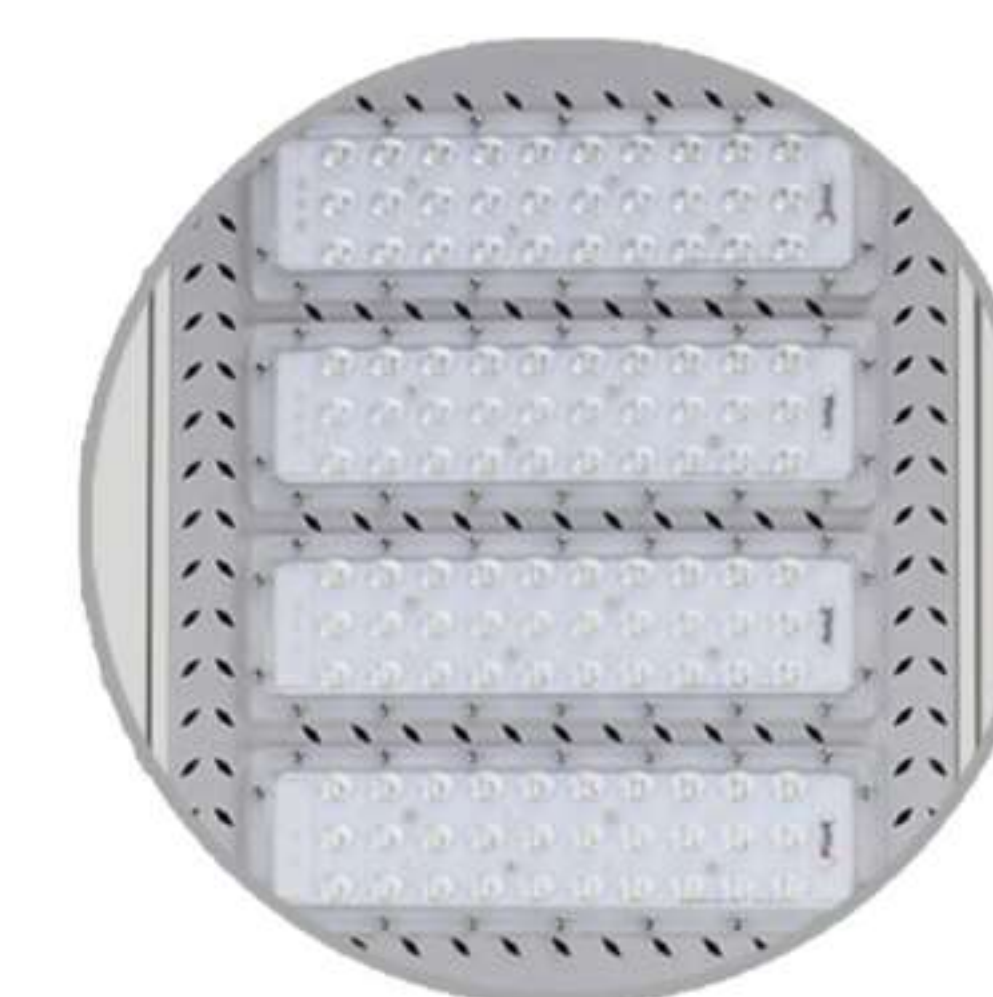
There are multi-working modes in one lamp, you can change its working mode as you need.



Multi-function base to support various installation environments



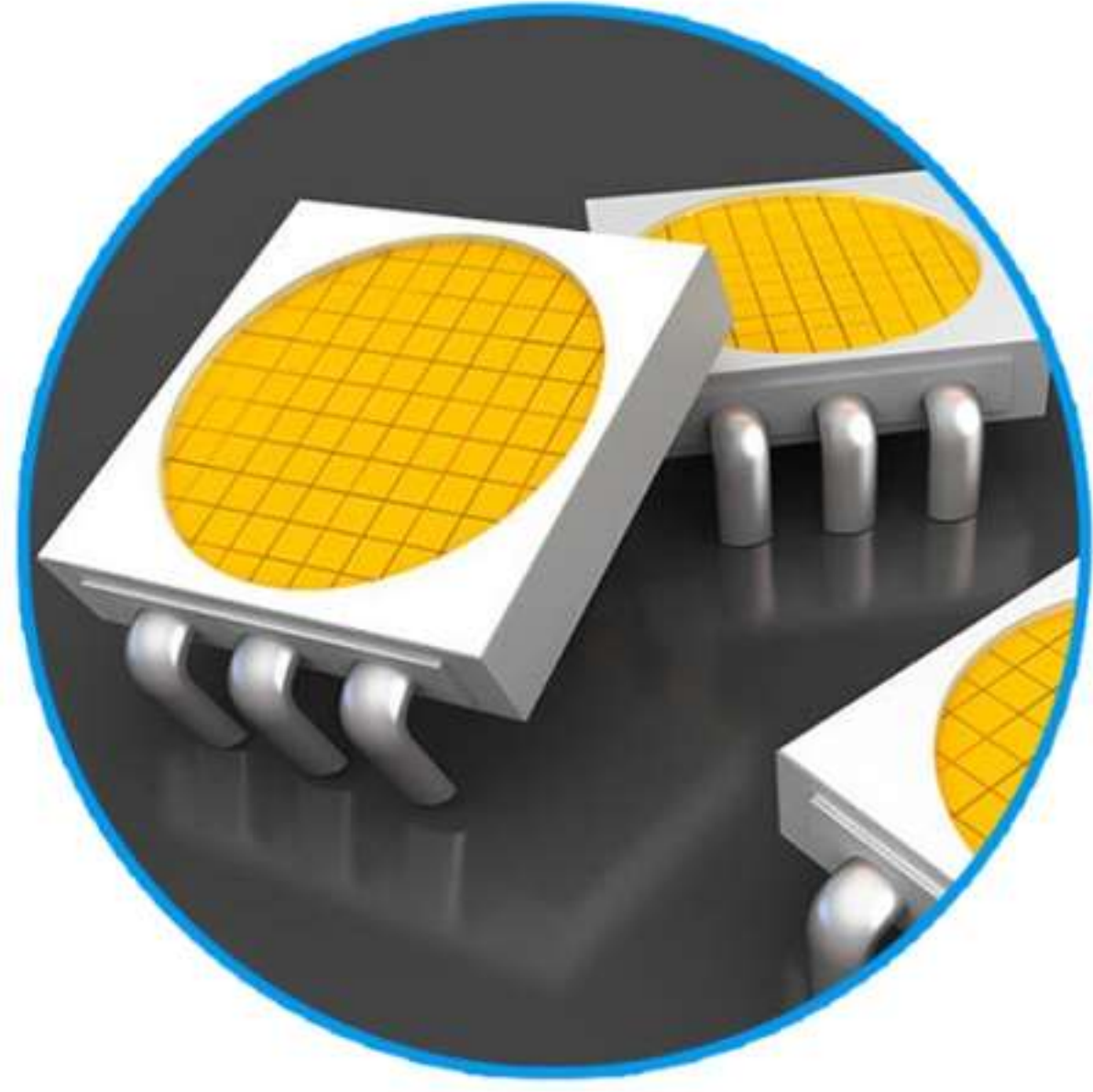
External battery box, convenient for battery maintenance



3030 lamp beads, ultra high brightness

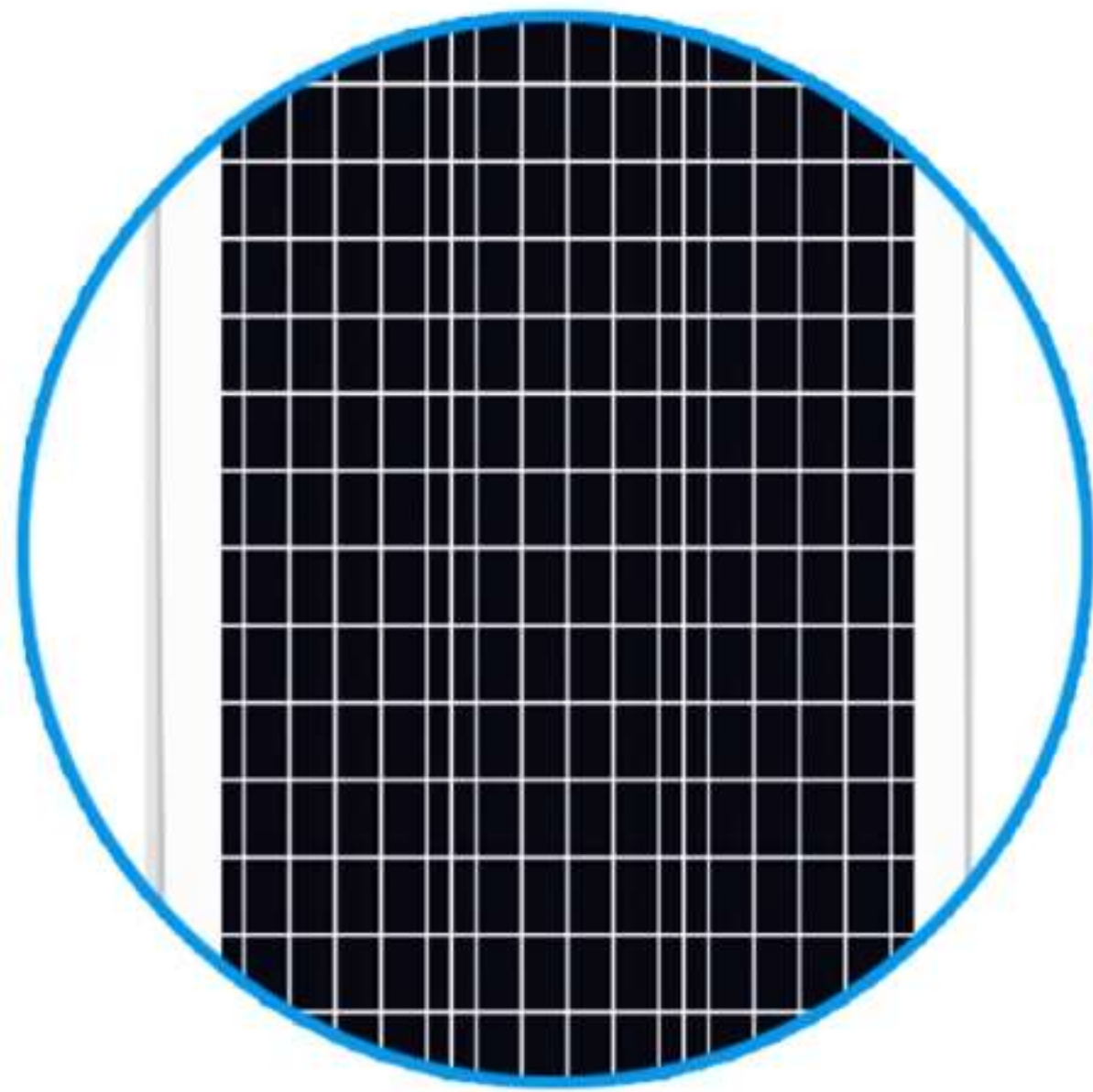


## INTRODUCTION TO MATERIALS USEF



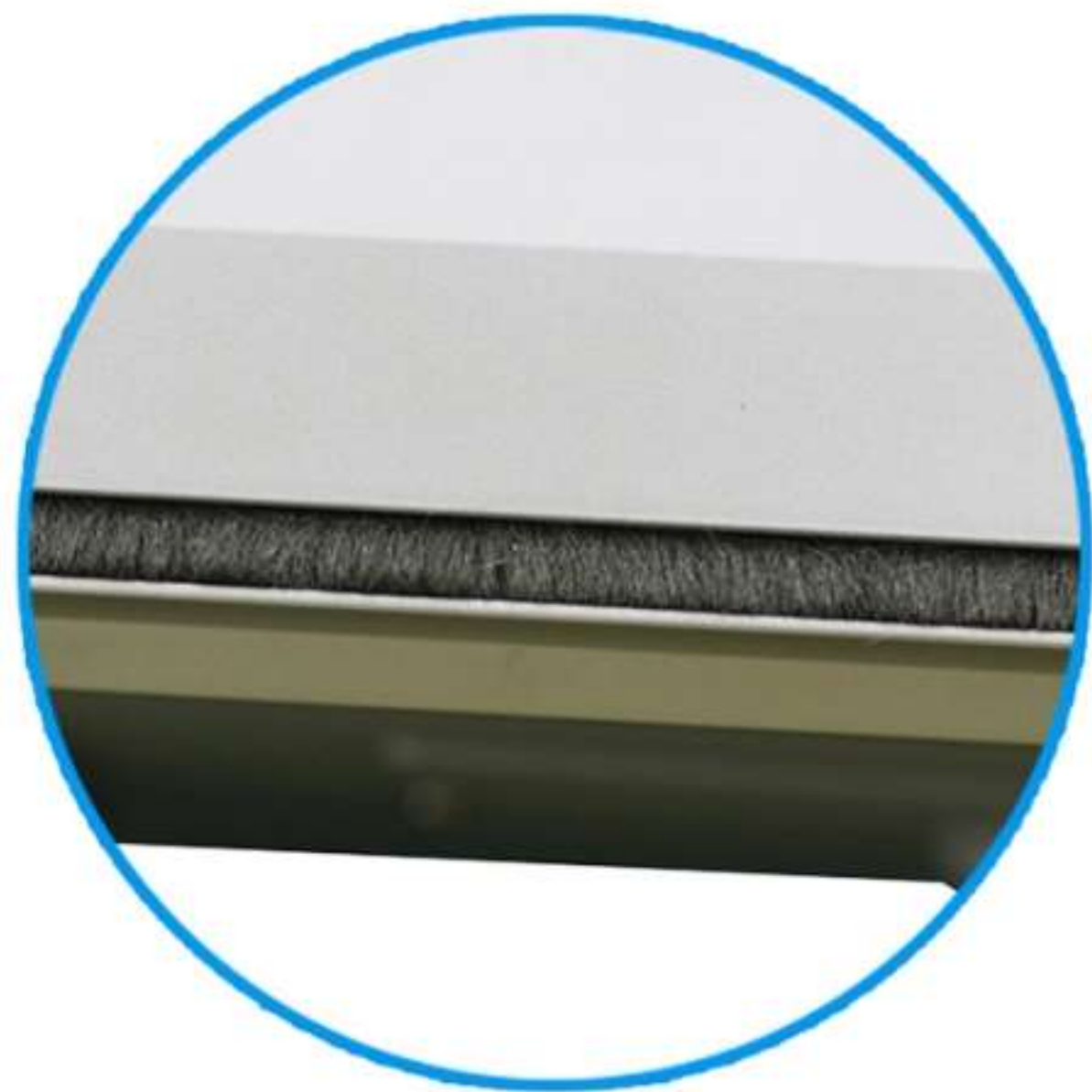
### LED ENERGY-SAVING LIGHT SOURCE

Adopt imported high light bulb beads Ultra high photosynthetic efficiency Persistent lighting



### THE SOLAR PANELS

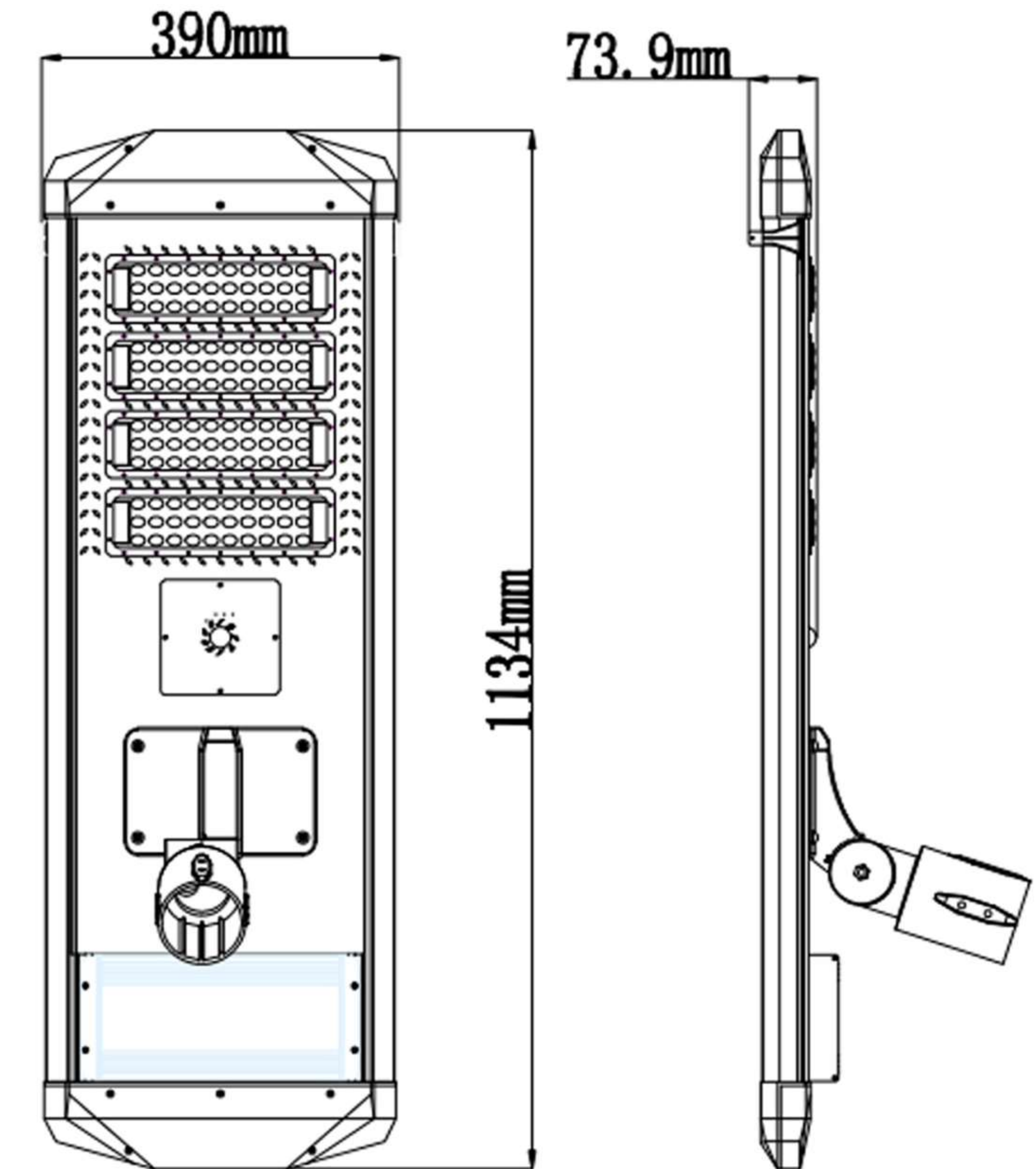
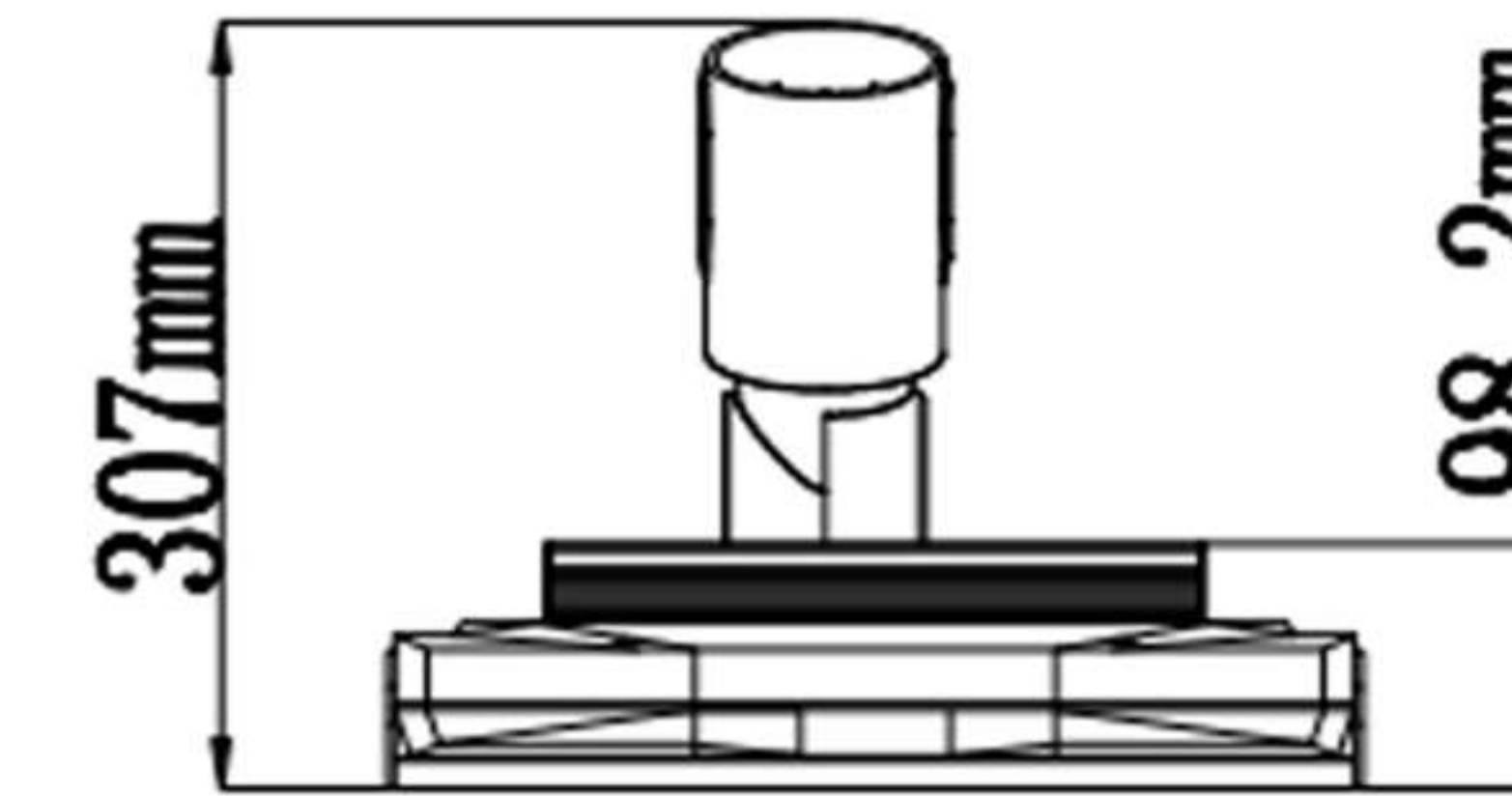
Efficiently imported silicon high efficiency Special surface treatment



### CLEAN

Can clean the surface of the solar panel, there will be no dust, leaves on it, affect the power generation

## Product Size



## INTRODUCTION TO MATERIALS USEF



Integrated to all in one, easy installation and maintenance.



Multiple controlling mode, easy operation.



Imported lamp beads, long lifespan



Customizing battery box, waterproof, high and low temperature resistance



Imported solar panels, ultra high conversion rate



Multiple sensor modes, intelligent controlling lighting mode.





|                   |                                       |                     |                                       |
|-------------------|---------------------------------------|---------------------|---------------------------------------|
| Model             | ACI-01                                | Working temperature | -20°C~60°C                            |
| Battery           | Efficient imported lithium battery    | Protection level    | TUV IP66                              |
| LED Light source  | Taiwan Everlight                      | Solar Panel         | Efficient imported silicon solar cell |
| Color temperature | 6000-7000K                            | Package size        | 870*150*450MM<br>/250*220*155MM       |
| Lumen             | 4000LM                                |                     |                                       |
| Working hours     | 10-12 hours per night, 3-5 rainy days |                     |                                       |



|                   |                                       |                     |                                       |
|-------------------|---------------------------------------|---------------------|---------------------------------------|
| Model             | ACI-04                                | Working temperature | -20°C~60°C                            |
| Battery           | Efficient imported lithium battery    | Protection level    | TUV IP66                              |
| LED Light source  | Taiwan Everlight                      | Solar Panel         | Efficient imported silicon solar cell |
| Color temperature | 6000-7000K                            | Package size        | 1450*150*455MM<br>/250*220*155MM      |
| Lumen             | 10000LM                               |                     |                                       |
| Working hours     | 10-12 hours per night, 3-5 rainy days |                     |                                       |



|                   |                                       |                     |                                       |
|-------------------|---------------------------------------|---------------------|---------------------------------------|
| Model             | ACI-02                                | Working temperature | -20°C~60°C                            |
| Battery           | Efficient imported lithium battery    | Protection level    | TUV IP66                              |
| LED Light source  | Taiwan Everlight                      | Solar Panel         | Efficient imported silicon solar cell |
| Color temperature | 6000-7000K                            | Package size        | 960*150*450MM<br>/250*220*155MM       |
| Lumen             | 6000LM                                |                     |                                       |
| Working hours     | 10-12 hours per night, 3-5 rainy days |                     |                                       |



|                   |                                       |                     |                                       |
|-------------------|---------------------------------------|---------------------|---------------------------------------|
| Model             | ACI-03                                | Working temperature | -20°C~60°C                            |
| Battery           | Efficient imported lithium battery    | Protection level    | TUV IP66                              |
| LED Light source  | Taiwan Everlight                      | Solar Panel         | Efficient imported silicon solar cell |
| Color temperature | 6000-7000K                            | Package size        | 1200*150*455MM<br>/250*220*155MM      |
| Lumen             | 8000LM                                |                     |                                       |
| Working hours     | 10-12 hours per night, 3-5 rainy days |                     |                                       |



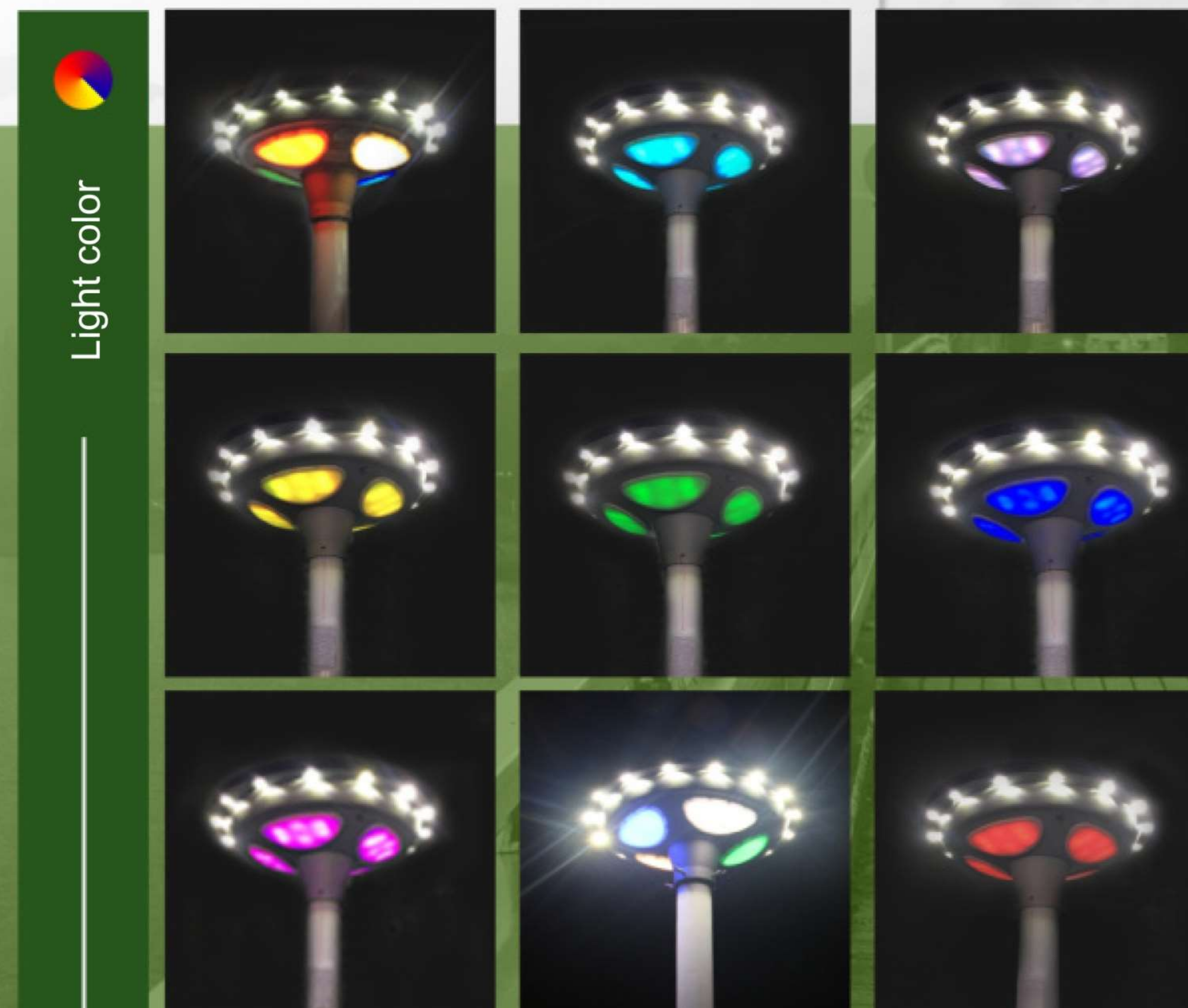


## PRODUCT FEATURE



## UFO SERIES

Custom RGB color or Multiple control modes or Various lighting modes



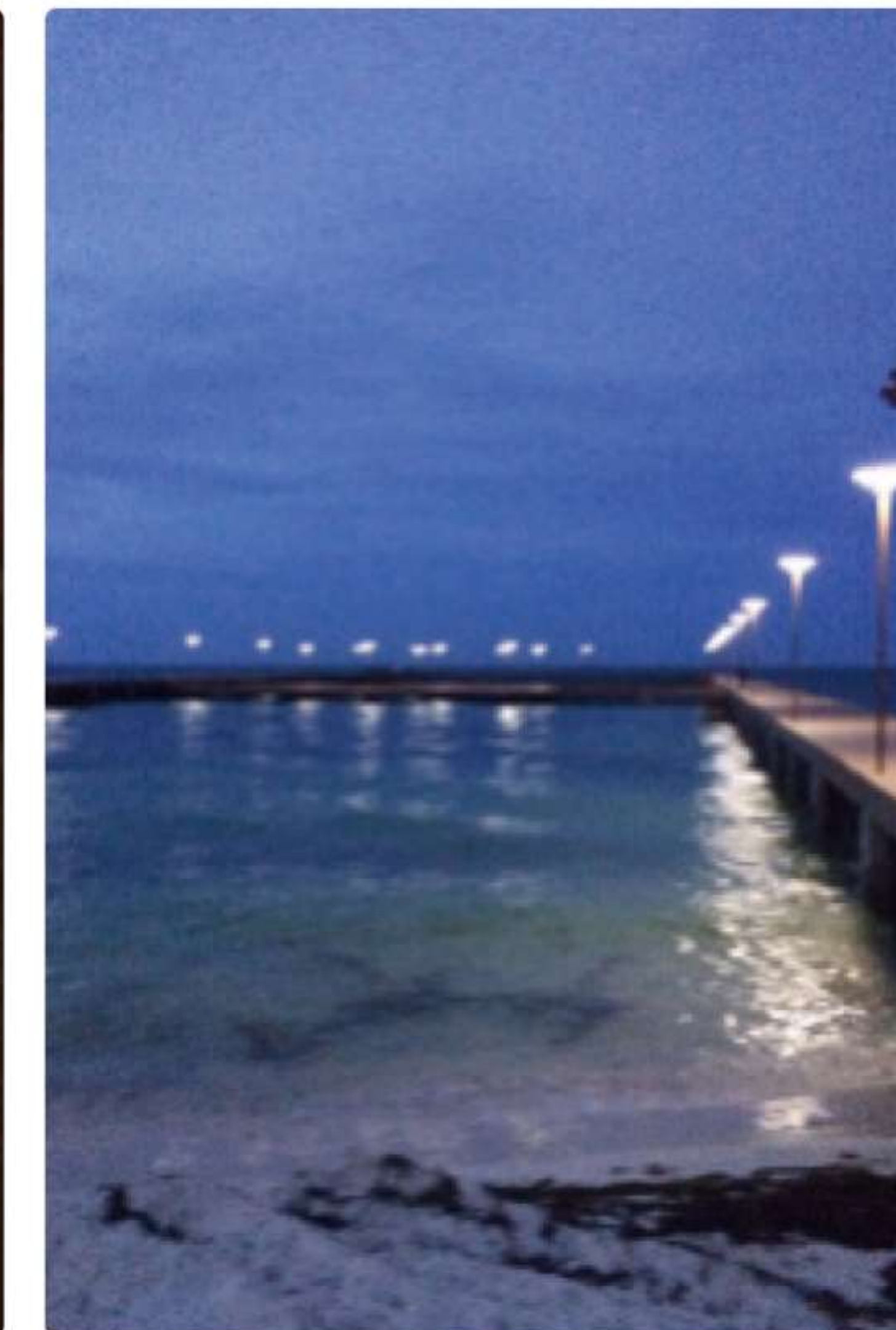
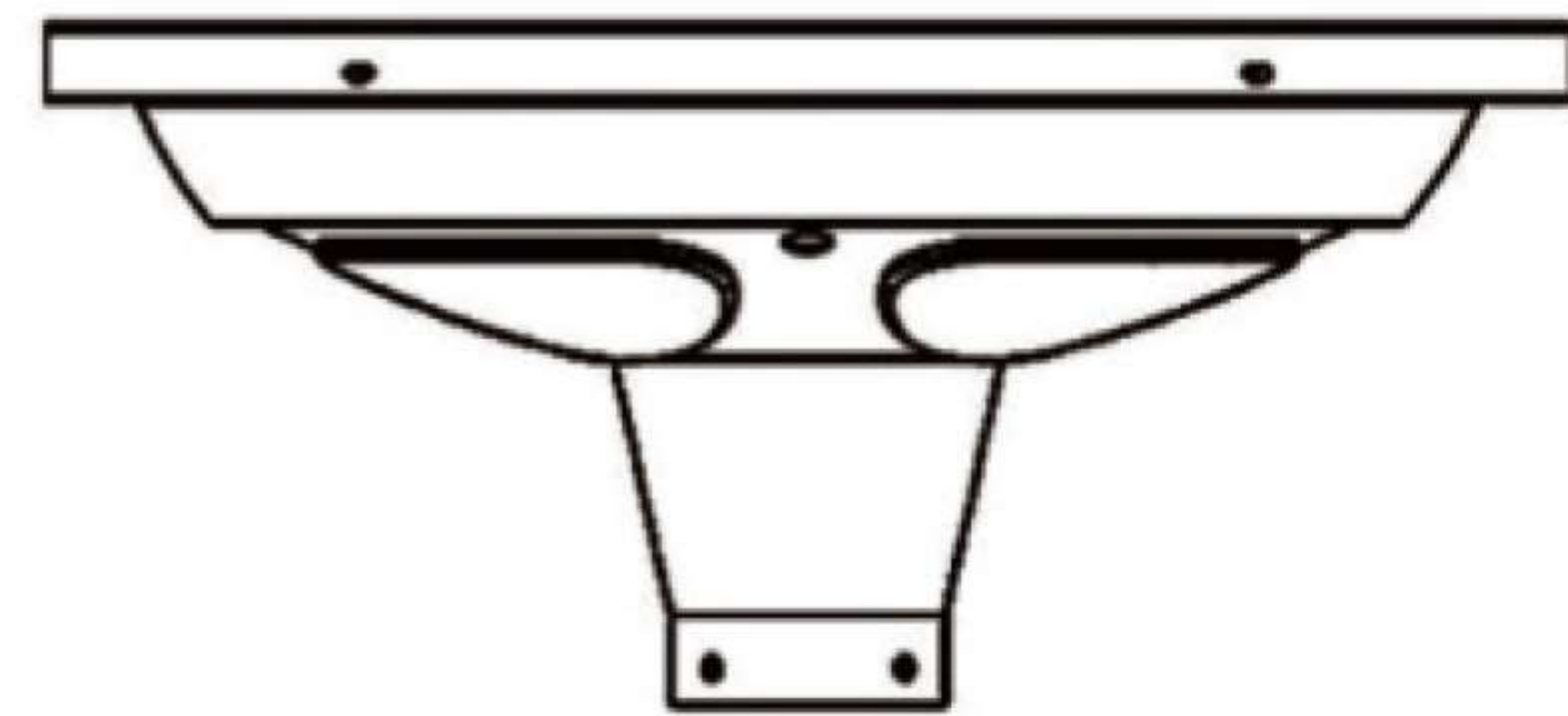
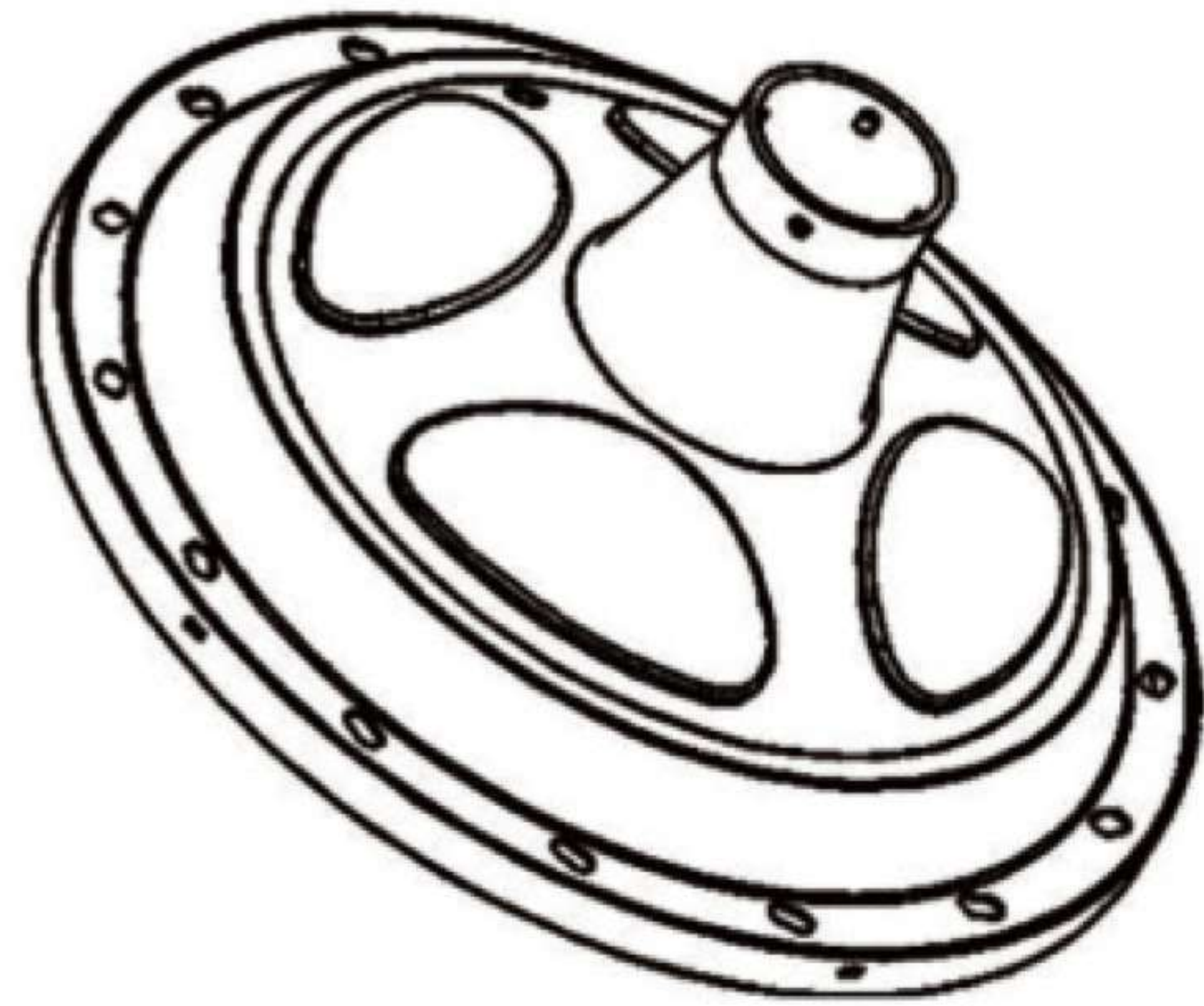
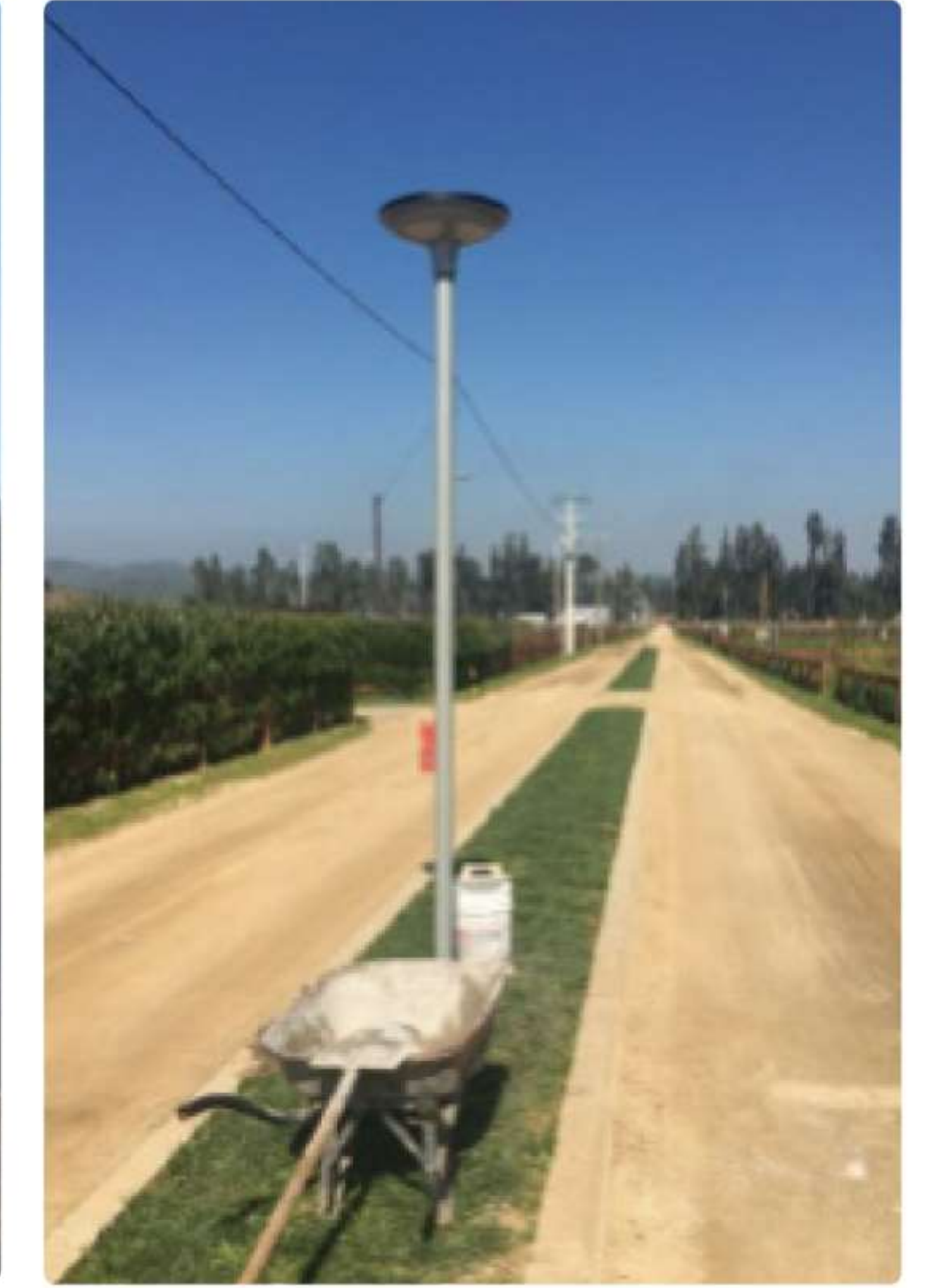
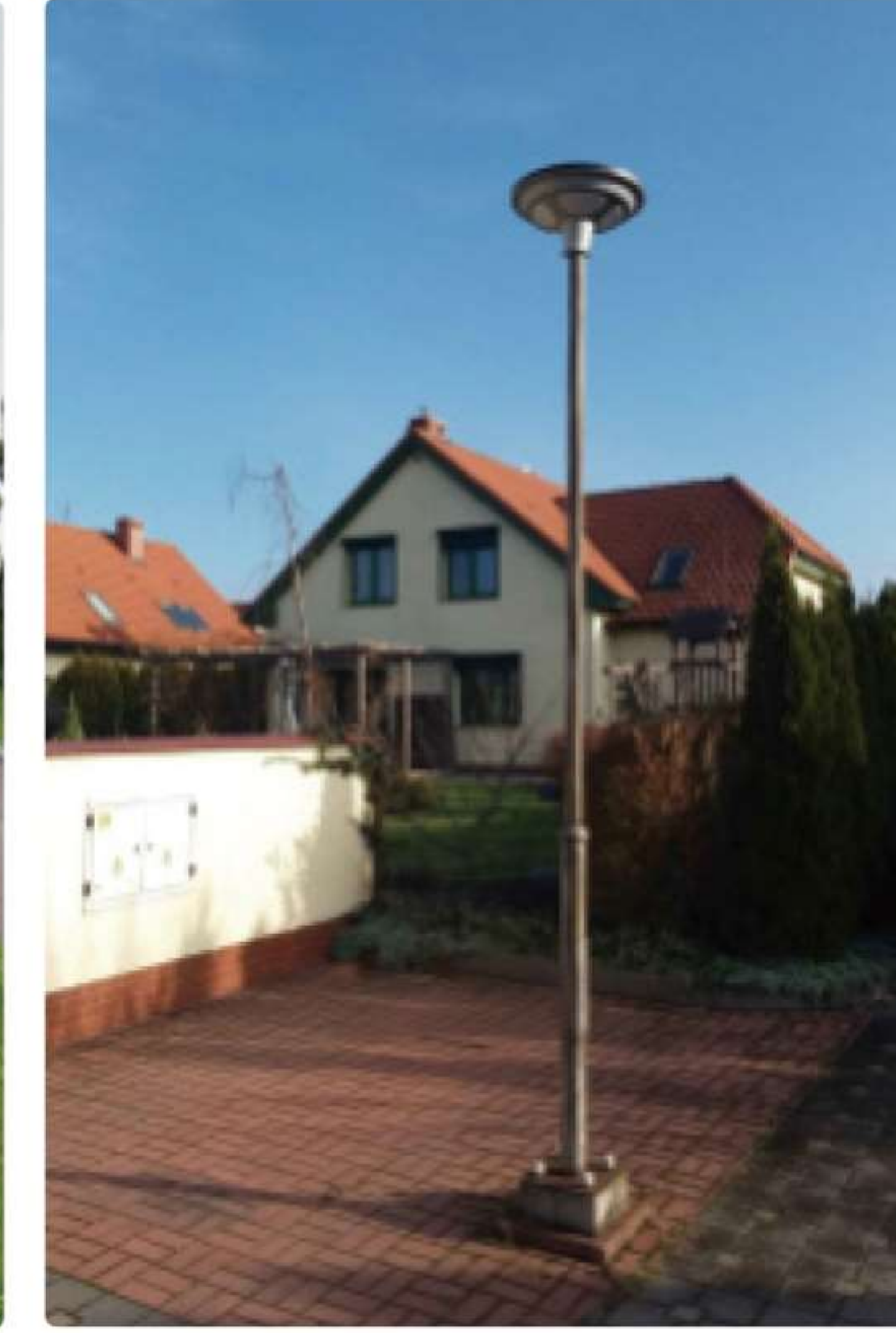
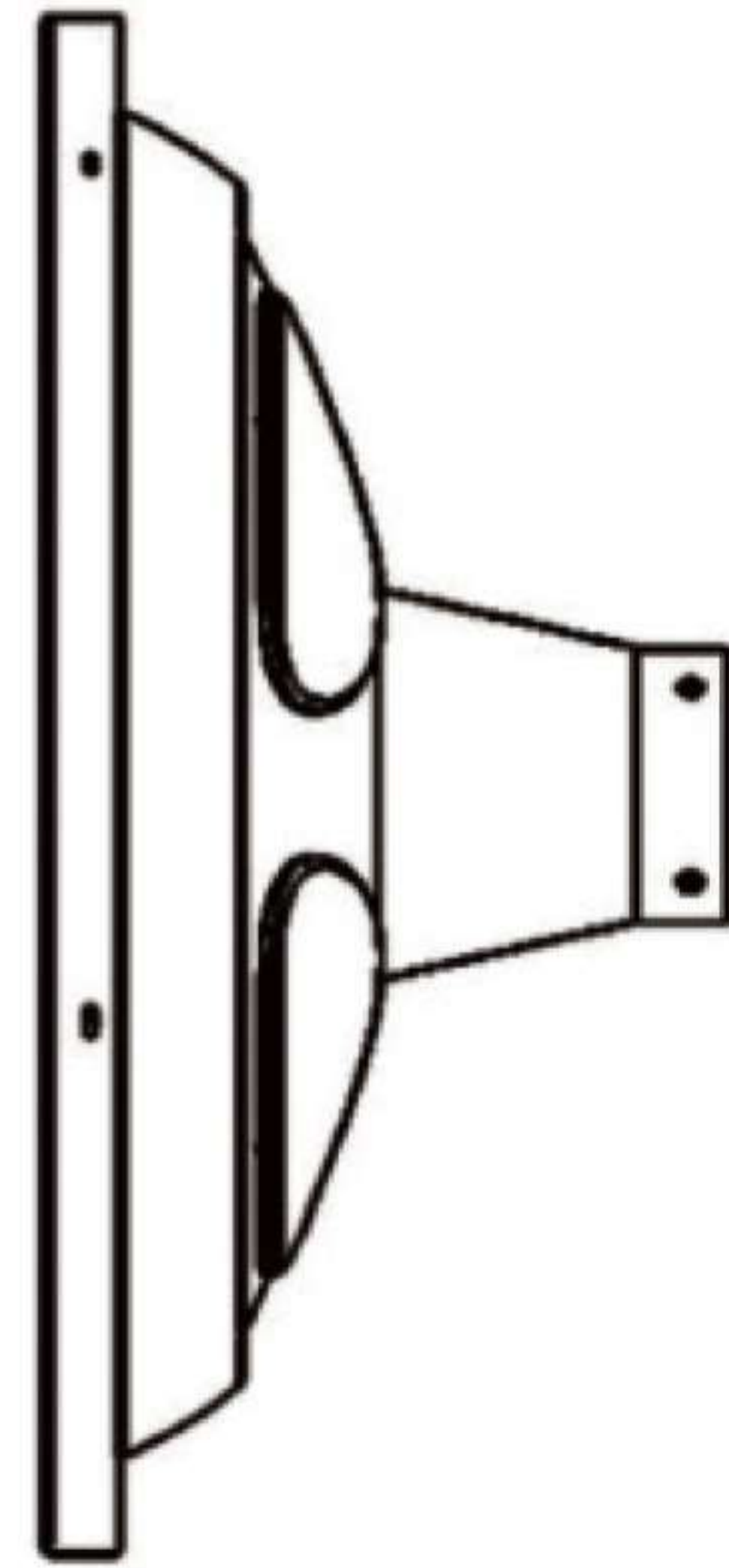
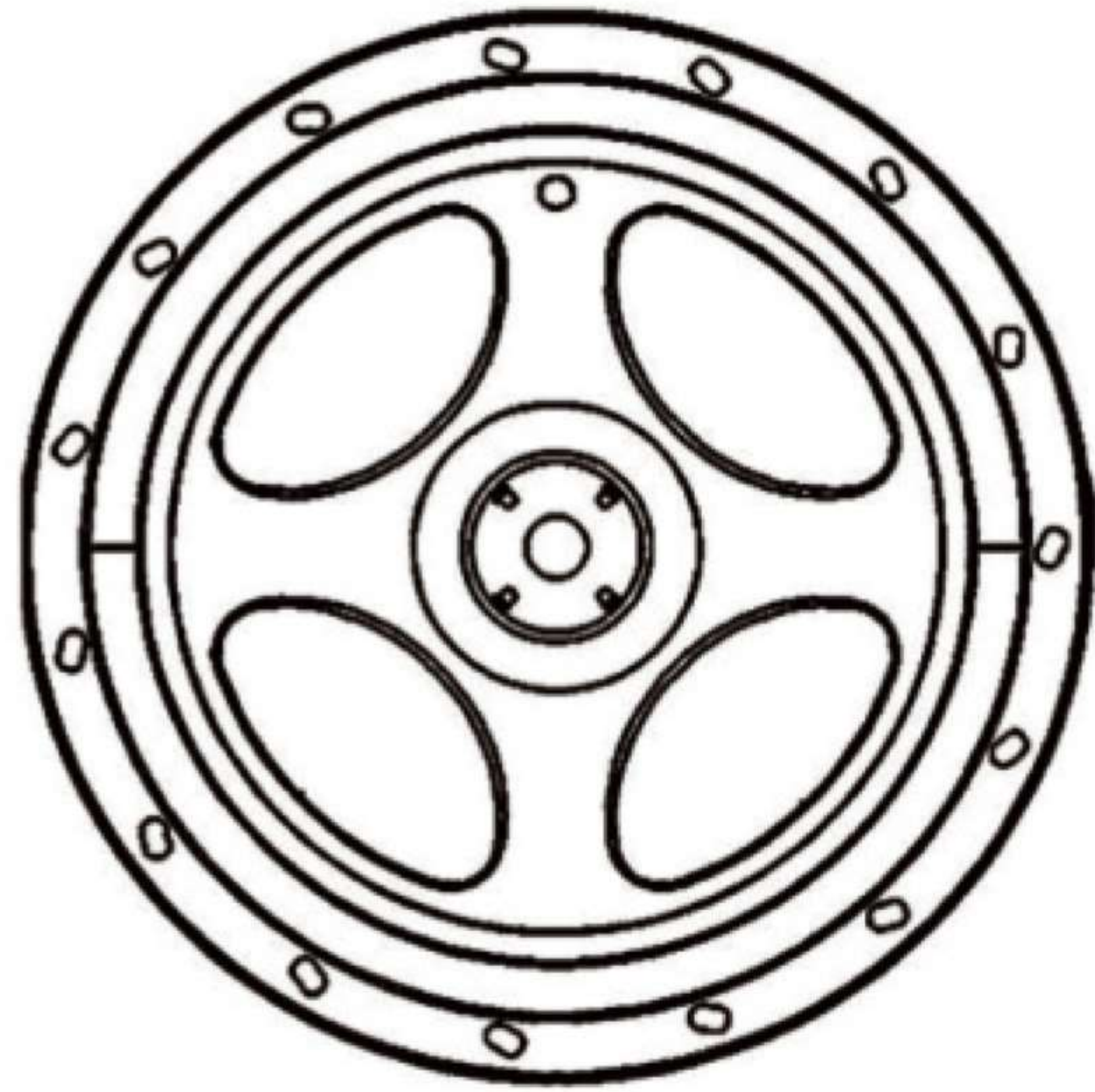




|                   |                                     |                     |                                       |
|-------------------|-------------------------------------|---------------------|---------------------------------------|
| Model             | UFO15W                              | Working temperature | -20°C~60°C                            |
| Battery           | Efficient imported lithium battery  | Protection level    | TUV IP66                              |
| LED Light source  | Taiwan Everlight                    | Solar Panel         | Efficient imported silicon solar cell |
| Color temperature | 6000-7000K                          | Gross weight        | 7.9KG                                 |
| Lumen             | 1500LM                              | Package size        | 590*570*180MM                         |
| Working hours     | 10-12 hours per night,3-5rainy days |                     |                                       |

|                   |                                     |                     |                                       |
|-------------------|-------------------------------------|---------------------|---------------------------------------|
| Model             | UFO30W                              | Working temperature | -20°C~60°C                            |
| Battery           | Efficient imported lithium battery  | Protection level    | TUV IP65                              |
| LED Light source  | Taiwan Everlight                    | Solar Panel         | Efficient imported silicon solar cell |
| Color temperature | 6000-7000K                          | Gross weight        | 10.15KG                               |
| Lumen             | 3000LM                              | Package size        | 660*640*180MM                         |
| Working hours     | 10-12 hours per night,3-5rainy days |                     |                                       |





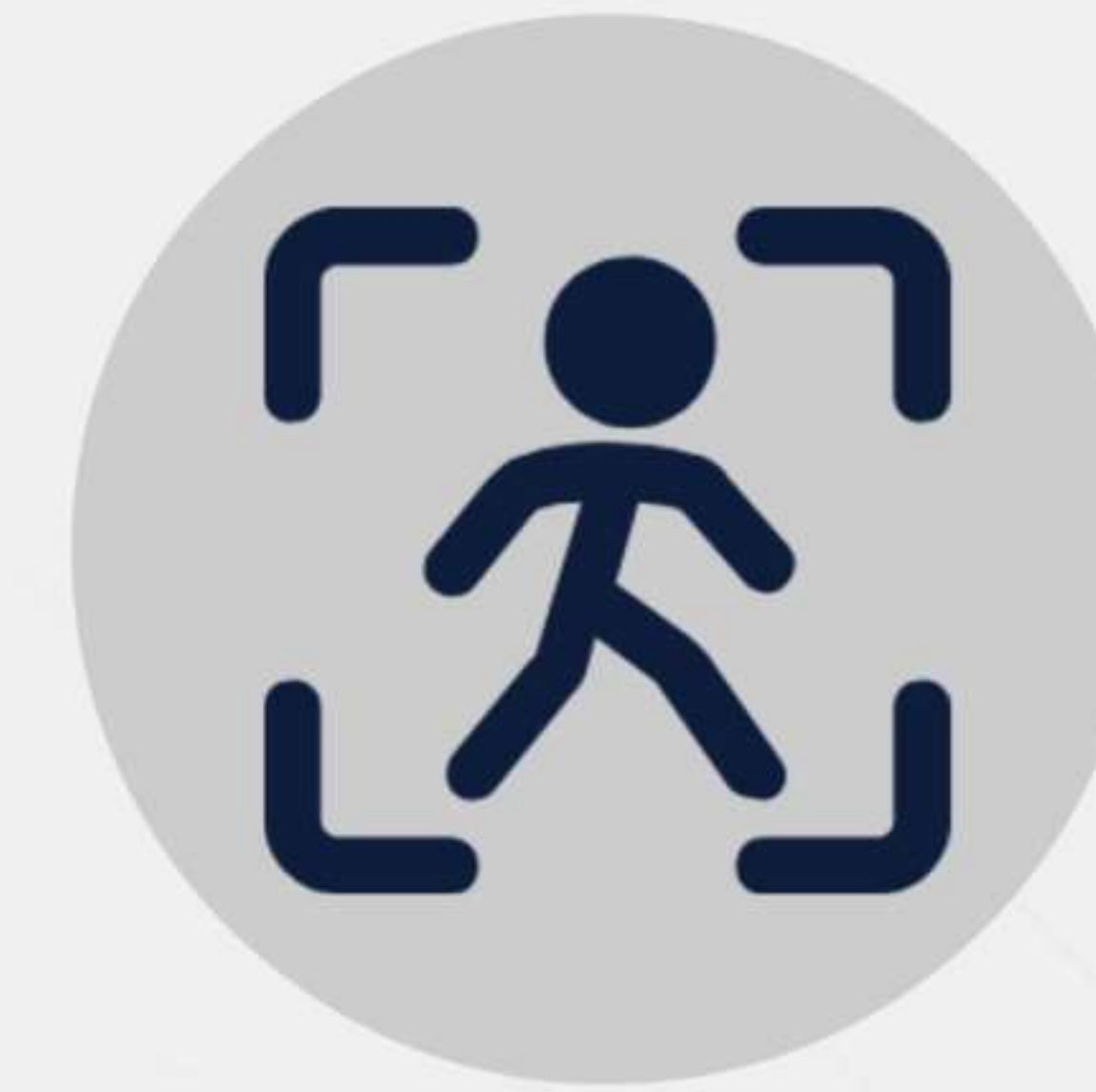


# SEMI-SEPARATED SERIES



## Remote control intelligence

Remote control control conversion mode, multi-mode conversion



## Human infrared induction

Large angle sensing area, bright when people come, easy to deal with outdoor



## Light sensing

Automatic charging during the day and automatic lighting at night



# SUN TRACKING SERIES



The angle can rotate with the sun

High quality LED

MPPT controller

Strong absorption of solar panel

| Product model                     | PTS-01 60W   | PTS-02 80W   | PTS-03 100W  |
|-----------------------------------|--|--|--|
| Polycrystalline solar panel       | 90W18V   | 110W18V  | 130W18V  |
| Luminous flux                     | 6000LM   | 8000LM   | 10000LM  |
| Charging time                     | 8H   | 8H   | 8H   |
| Rainy days                        | 5-7days  | 5-7days  | 5-7days  |
| Recommended installation height   | 5-7m   | 7-9m   | 9-10m  |
| Packing size of product outer box | Packaging of solar panels: 720*80*660MM<br>Sleeve packaging: 225*225*370MM<br>Packaging of lamp cap: 1210*85*265MM | Packaging of solar panels: 920*80*720MM<br>Sleeve packaging: 225*225*370MM<br>Packaging of lamp cap: 1210*85*266MM | Packaging of solar panels: 720*80*660MM<br>Sleeve packaging: 225*225*370MM<br>Packaging of lamp cap: 1210*85*267MM |
| Finished product code             | Lithium 01.PTS. 10<br>Lifepo 401.PTS. 11   | Lithium 01.PTS. 20<br>Lifepo 01.PTS. 21  | Lithium 01.PTS. 30<br>Lifepo 01.PTS. 31  |
| Working mode                      | Integration of time control and induction, with remote control   |  |  |
| Remarks                           | All series MPPT controller, controller and lithium battery are placed in the lamp cap                              |  |  |



# SUN TRACKING SERIES

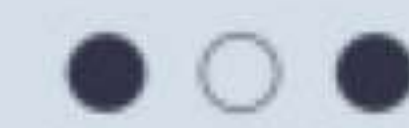
Set out with dawn ,walk with sunshine

24 times in the daytime, with power consumption of 0.05wh per day

Adjust the solar panel every 0.5 hours



# CHASING THE SUNLIGHTS IN DAY-TIME DAY, EMITTING STRONG LIGHT IN THE NIGHT



**Morning**



**Afternoon**

Increasing 30% more  
than common fixed  
solar panel

**30%**





## HP SERIES SOLAR STREET LAMP

Hollow panel for better ventilation and heat dissipation; 5050 lamp beads with high brightness, detachable battery,





# OPTIONAL LED BILLBOARD

Optional LED billboard that displays numbers, text and pattern.



SOLAR  
STREET LIGHT

## HIGH-QUALITY LED

Using ultra-high brightness of  
**SMD5050** LED chips which reach  
**220LM / W.**







|                   |                                       |                     |                                       |
|-------------------|---------------------------------------|---------------------|---------------------------------------|
| Model             | HP-01                                 | Working temperature | -20°C~60°C                            |
| Battery           | Efficient imported lithium battery    | Protection level    | TUV IP66                              |
| LED Light source  | Taiwan Everlight                      | Solar Panel         | Efficient imported silicon solar cell |
| Color temperature | 6000-7000K                            | Package size        | 1100*600*100MM<br>/520*365*240MM      |
| Lumen             | 12000LM                               |                     |                                       |
| Working hours     | 10-12 hours per night, 3-5 rainy days |                     |                                       |



|                   |                                       |                     |                                       |
|-------------------|---------------------------------------|---------------------|---------------------------------------|
| Model             | HP-04                                 | Working temperature | -20°C~60°C                            |
| Battery           | Efficient imported lithium battery    | Protection level    | TUV IP66                              |
| LED Light source  | Taiwan Everlight                      | Solar Panel         | Efficient imported silicon solar cell |
| Color temperature | 6000-7000K                            | Package size        | 1557*738*100MM<br>/520*365*240MM      |
| Lumen             | 22000LM                               |                     |                                       |
| Working hours     | 10-12 hours per night, 3-5 rainy days |                     |                                       |



|                   |                                       |                     |                                       |
|-------------------|---------------------------------------|---------------------|---------------------------------------|
| Model             | HP-02                                 | Working temperature | -20°C~60°C                            |
| Battery           | Efficient imported lithium battery    | Protection level    | TUV IP66                              |
| LED Light source  | Taiwan Everlight                      | Solar Panel         | Efficient imported silicon solar cell |
| Color temperature | 6000-7000K                            | Package size        | 1417*600*100MM<br>/520*365*240MM      |
| Lumen             | 15000LM                               |                     |                                       |
| Working hours     | 10-12 hours per night, 3-5 rainy days |                     |                                       |



|                   |                                       |                     |                                       |
|-------------------|---------------------------------------|---------------------|---------------------------------------|
| Model             | HP-05                                 | Working temperature | -20°C~60°C                            |
| Battery           | Efficient imported lithium battery    | Protection level    | TUV IP66                              |
| LED Light source  | Taiwan Everlight                      | Solar Panel         | Efficient imported silicon solar cell |
| Color temperature | 6000-7000K                            | Package size        | 1837*738*100MM<br>/520*365*240MM      |
| Lumen             | 25000LM                               |                     |                                       |
| Working hours     | 10-12 hours per night, 3-5 rainy days |                     |                                       |



|                   |                                       |                     |                                       |
|-------------------|---------------------------------------|---------------------|---------------------------------------|
| Model             | HP-03                                 | Working temperature | -20°C~60°C                            |
| Battery           | Efficient imported lithium battery    | Protection level    | TUV IP66                              |
| LED Light source  | Taiwan Everlight                      | Solar Panel         | Efficient imported silicon solar cell |
| Color temperature | 6000-7000K                            | Package size        | 1652*600*100MM<br>/520*365*240MM      |
| Lumen             | 18000LM                               |                     |                                       |
| Working hours     | 10-12 hours per night, 3-5 rainy days |                     |                                       |